

*Owner's Manual
And
Assembly Instructions*



*The Durango
Model 1-AP016*

Rev. 03/28/05



Adventure Playsets

Amarillo Texas 79119

Thank you for purchasing an
Adventure Playsets Playcenter.

We hope it will bring you and your children many years
of safe and enjoyable backyard fun.

Table of Contents

Letter to Customer	1
Positioning Your Playcenter	2
Tools Required for Assembly	2
Helpful Installation Hints	3
Suggested Playground Surfacing	4
Operating Instructions	5
Maintenance Instructions	6
Disposal Instructions	6
CPSC Information Sheet	7
Assembly Instructions	8
Frequently Asked Questions	34
Customer Notes	35
Limited Warranty	37
Warranty Claim Procedure	38
Customer Registration Card	39

Your owner's manual should be read carefully before
starting assembly.

Dear Customer:

Thank you for purchasing an Adventure Playsets Playcenter. We hope it will bring you and your children many years of safe and enjoyable backyard fun. Adventure Playsets equipment is recommended for use by **children 3 to 10 years of age**. Adventure Playsets structures are **not intended for public use**. Adventure Playsets **does not warranty** any of its residential structures subjected to commercial use.

Please follow all recommendations below. **Failure to do so may result in the warranty being void and/or safety violations that could result in serious injury.** The following information has been provided to help you in your installation, continued satisfaction, and safe operation of your Adventure Playsets purchase. Always keep the safety of your children in mind as your play structure is being built and as your children play on the set. **Children must not use the Playcenter until completely assembled and properly installed and anchored to prevent serious injury.** Before your children play on the set please review the Operation Instructions with them to help ensure their safety.

PLEASE RETAIN THESE INSTRUCTIONS FOR FUTURE REFERENCE. KEEP THEM IN A SAFE PLACE WHERE YOU CAN REFER TO THEM AS NEEDED.

General Information:

<u>Manufacturer</u> Adventure Playsets	<u>Vendor:</u> _____
14201 Interstate 27	_____
Amarillo, TX 79119	_____
Ph. #: 1-800-856-4445	_____
Fax: 806-622-1515	_____
E-mail -custservice@adventureplaysets.com	

Unit Type:

Unit Name: The Durango Revision Date: 10-18-04
Unit Model Number: 1-APO16
Instruction Manual Information

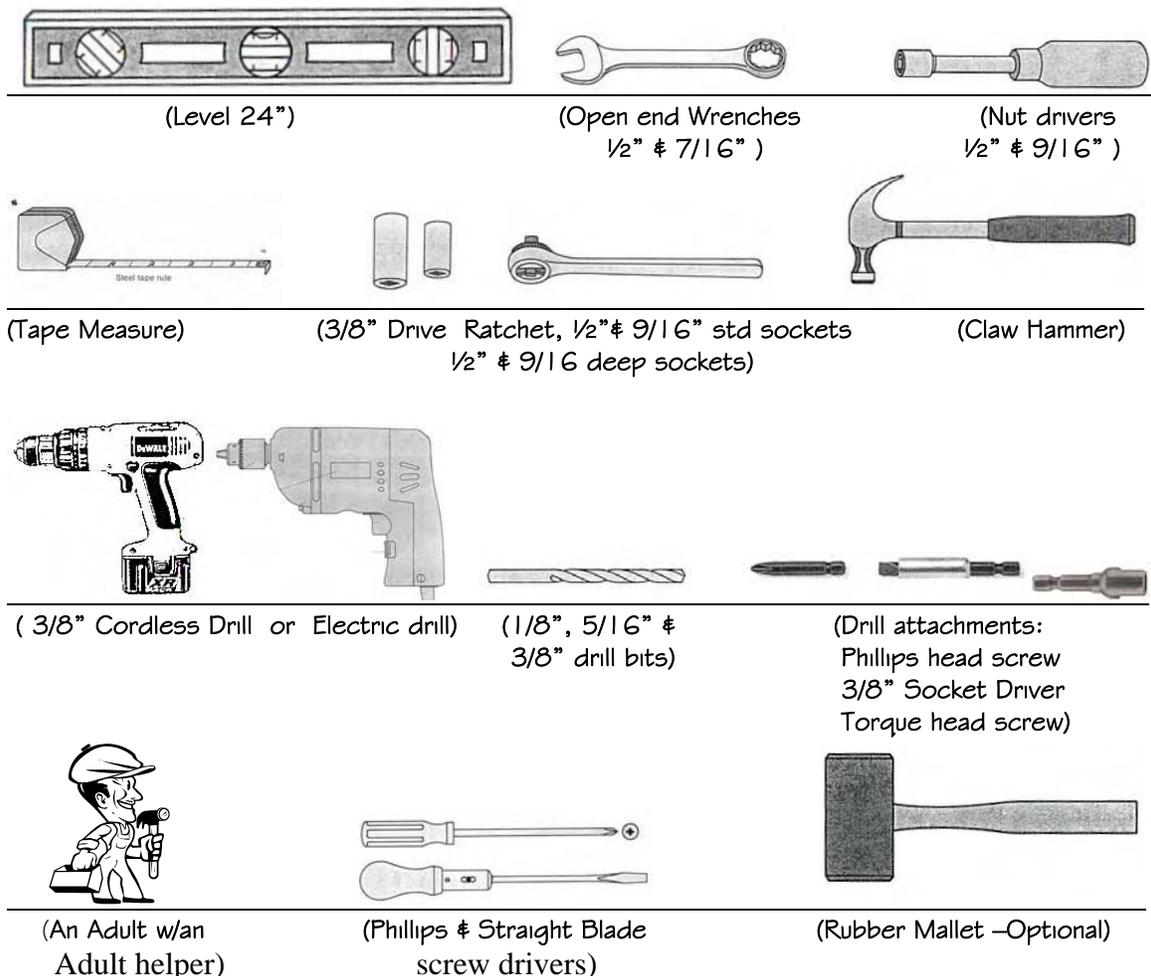
Maximum Fall Height: 8'-4"

The instructions and owner's manual for your new Playcenter should be read in its entirety before assembly, to minimize problems and safety issues. We recommend reading the owner's manual thoroughly after you have identified all of the parts for your Playcenter as discussed in the Helpful Installations Hints section below.

Positioning Your Play center

1. The Playcenter is designed to be installed on a level surface **by an Adult with an Adult helper**. Try to place in a flat area of your yard to minimize ground preparation.
2. Place the equipment not less than 6 ft from any structure or obstruction such as a fence, garage, house, overhanging branches, laundry lines, or electrical wires.
3. It is a good idea to place your Playcenter in an area that is convenient for adults to watch children at play.
4. The area that you choose should be policed for glass, rocks or anything jagged or sharp that could endanger your children's safety. The surface underneath your play system can cause or prevent injuries. We have additional suggestions in the Suggested Playground Surfacing Section.
5. Do not build your playset on top of surfacing material.

Tools Required for Installation:



Helpful Installation Hints

1. Depending on your experience, assembly of this Play set should take approximately 6 to 12 hours after inventory of parts. Therefore, we recommend you set aside a full day for assembly.
2. Identify all of the parts for your Playcenter. Empty each box and lay out boards so you can see each part. Your instruction book will have detailed drawings that will make it easy for you to recognize individual parts. Keep all hardware and metal parts separate from wooden pieces.
3. After everything is laid out, check carefully to ensure all parts are present. Make sure there are no broken boards.
4. Find an area to sort your hardware. It is best to open the hardware on a solid surface so that you do not lose any pieces in the grass. This will save time and familiarize you with all the different pieces in the hardware bag.
5. Important note: Wood has some natural defects such as knots, surface cracks, etc... We reject parts that are structurally defective. We use a high quality lumber in our structures; however, you should inspect each part for splinters or rough spots and sand them smooth to prevent injury.
6. After steps 1 thru 4 have been completed, read all the way through the instructions completely. Reading instructions after you have studied the parts will help you understand more clearly the installation process, and help to eliminate unnecessary mistakes.
7. Pay close attention to the diameter and length of each bolt and screw. There will be different sizes in the same bag, so they must be sorted correctly.
8. Swing hangers should be buried past the threads, so that the loop is against the swing beam. Adventure Playsets is not responsible for incorrect installations of swing hangers. Failure to properly install swing hangers may cause severe injury.
9. Never tighten hardware completely at first. It helps to have some adjustment for bolt alignment while you are attaching parts together. After everything is square, tighten each joint.
10. After the main unit is assembled it is critical that the floor is level and square. If the main frame is not level, the walls and floor will be out of square.
11. After you complete installation, make sure every bolt, screw, and nut is tight, and every board is secure. Wood will expand and contract with the seasons. Check all bolt connections and swing hangers every two weeks.
12. Place the set on level ground, not less than 6ft from any structure or obstruction such as a fence, garage, house, overhanging branches, laundry lines, or electrical wires.

READ! VERY IMPORTANT!

If you are missing parts or have questions regarding the installation of our quality product PLEASE call us directly at the factory (1-800-856-4445). Our trained staff will be happy to assist you.

Customer service hours:

Monday thru Friday 9am to 5pm

Saturday 9am to 2pm

Central Standard Time.

E-mail: custservice@adventureplaysets.com

ATTENTION: UK CUSTOMERS

We thank you for purchasing our excellent quality play equipment. We are sure that you will be satisfied with your selection. However, should you experience any problems or require any advice, do not return the item to the store, please contact our European Customer Service Number below. To ensure a prompt and efficient handling of your query please have your assembly instructions ready when you call.

Tel: 08700 170580 or email us at info@plumproducts.com



Suggested Playground Surfacing

- ❑ Playground equipment should never be placed on hard surfaces such as concrete or asphalt.
- ❑ Shredded bark mulch, wood chips, fine sand and fine gravel, are added as shock absorbing materials after assembly. If used properly these materials can absorb some of the impact of a child’s fall.
- ❑ All surface material should extend a minimum of 6 feet in all directions around the play area.

The following chart explains the fall height in feet from which a life threatening head injury would not be expected

Critical Heights in feet (m) of Tested Materials

Material	Uncompressed Depth			Compressed Depth to 9" (228mm)
	6" (152mm)	9" (228mm)	12" (304mm)	
Wood Chips	7' (2.13m)	10' (3.05m)	11' (3.35m)	10' (3.05m)
Double-Shredded bark mulch	6' (1.83m)	10' (3.05m)	11' (3.35m)	7' (2.13m)
Engineered Wood Fibers	6' (1.83m)	7' (2.13m)	> 12' (3.66m)	6' (1.83m)
Fine Sand	5' (1.52m)	5' (1.52m)	9' (2.74m)	5' (1.52m)
Coarse Sand	5' (1.52m)	5' (1.52m)	6' (1.83m)	4' (1.22m)
Fine Gravel	5' (1.52m)	7' (2.13m)	10' (3.05m)	6' (1.83m)
Medium Gravel	5' (1.52m)	5' (1.52m)	6' (1.83m)	5' (1.52m)
Shredded Tires*	10-12' (3.0-3.6m)	N/A	N/A	N/A

*This data is from tests conducted by independent testing laboratories on a 6-inch depth of uncompressed shredded tire samples produced by four manufacturers. The tests reported critical heights, which varied from 10 feet to greater than 12 feet. It is recommended that persons seeking to install shredded tires as a protective surface request test data from the supplier showing the critical height of the material when it was tested in accordance with ASTM F1292.

Operating Instructions:

NOTE: Your children's safety is our #1 concern. Observing the following statements and warnings reduces the likelihood of serious or fatal injury. Please review these safety rules regularly with your children.

1. This Playcenter is designed for the use of 3 occupants who have a combined weight not exceeding 280 pounds or a single occupant with a weight not to exceed 150 pounds.
2. On-site adult supervision is **required**.
3. Instruct children **not** to walk close to, in front of, behind, or between moving swings or other moving playground equipment.
4. Instruct children to sit in and **never** stand on swings
5. Instruct children **not** to twist the chains and ropes and not to loop them over the top support bar, since this may reduce the strength of the chain or rope.
6. Instruct children **not** to jump from swings or other playground equipment in motion.
7. Instruct children to **not push** empty seats. The seat may hit them and cause serious injury.
8. Instruct and teach children to sit in the center of the swings with their full weight on the seats.
9. Instruct children **not** to use the equipment in a manner other than intended.
10. Instruct children to **always** go down slides feet first. Never slide headfirst.
11. Instruct children to **look** before they slide to make sure no one is at the bottom.
12. Instruct children to **never** run up a slide, as this increases their chances of falling.
13. The parents should have the children **dress appropriately** with well-fitting shoes. Loose clothing such as scarves and ponchos should not be worn. Always take off, tie up or tuck in cords and drawstrings on children's clothing. These things can get caught on playground equipment and strangle a child.
14. Instruct children **not** to climb when the equipment is wet.
15. Instruct children to **never** jump from a fort deck. They should always use the ladder, ramp or slide.
16. Instruct children to **never** crawl or walk across the top of monkey bars.
17. Instruct children to **never** crawl on top of a fort roof.
18. Verify that any suspended climbing ropes, chain, or cable are secured at both ends and that they cannot be looped back on it.
19. Instruct children **not** to attach items to the playground equipment that are not specifically designed for use with the equipment, such as, but not limited to, jump ropes, clothesline, pet leashes, cables and chain as they may cause a strangulation hazard.
20. Instruct children to **never** use Monkey Bar when swings or glider are in use.
21. Instruct children to **never** wrap their legs around swing chain.

Maintenance Instructions:

1. Check all nuts and bolts twice monthly during the usage season and tighten as required. (But not so tight that you crack the wood) We recommend you check the swing beam and hardware every two weeks due to wood expansion and contraction. It is particularly important that this procedure be followed at the beginning of each season.
2. Remove plastic swing seats and take indoors or do not use when the temperature drops below 32 °F.
3. Oil all metallic moving parts monthly during the usage period.
4. Check all coverings for bolts and sharp edges twice monthly during usage season to be certain they are in place. Replace when necessary. It is especially important to do this at the beginning of each new season.
5. Check swing seats, ropes, cables and chains monthly during usage season for evidence of deterioration. Replacement should be made of any swing seat that has developed cracks in the plastic seats or has exposed metal in the edges of the swing seat. If there are already exposed metal inserts on the edge of the seat, immediately remove the seats and chains to prevent serious injury. Ropes, cables and chains should be removed and replaced if excessive wear is found. Contact Adventure Playsets for replacement parts.
6. For rusted areas on metallic members such as monkey bars, hand supports, brackets, etc., sand and repaint, using a non lead-based paint meeting the requirements of Title 16 CRF Part 1303.
7. Inspect wood parts monthly. The grain of the wood sometimes will lift in the dry season causing splinters to appear. Light sanding may be necessary to maintain a safe playing environment. If you are treating your Playcenter with stain regularly, it will help prevent severe checking/splitting and other weather damage.
8. We recommend treating the wood components once or twice a year depending on the type of weather you have and when sanding has been required to maintain a good surface. We treat our wood with a waterborne transparent stain.
9. Creating and maintaining the Playcenter on a level location is very important. As your children play, your Playcenter will slowly dig its way into the soil, and it is very important that it settles evenly. Make sure the play set is level and true once each year or at the beginning of each play season.

Disposal Instructions:

When the Playcenter use is no longer desired, it should be disassembled and disposed of in such a way that no unreasonable hazards will exist at the time the unit is discarded.

NOMINAL MATERIAL SIZES			
NAMED SIZE		TRUE SIZE	
Imperial (")	Metric (mm)	Imperial (")	Metric (mm)
1x6	2.5x15.3	3/4x5 1/2	1.9x14
5/4x4	3.2x10.2	1x3 1/2	2.5x9
5/4x6	3.2x15.3	1x5 1/2	2.5x14
2x2	5x5	1 1/2x1 1/2	3.8x3.8
2x3	5x7.6	1 1/2x2 1/2	3.8x6.4
2x4	5x10	1 1/2x3 1/2	3.8x9
2x6	5x15.3	1 1/2x5 1/2	3.8x14
4x4	10x10	3 1/2x3 1/2	9x9

Estimated Sizing Due to Molding of Wood

APPENDIX A

Information on Playground Surfacing Materials:

The following information is from the *United States Consumer Product Safety Commission's Information Sheet for playground surfacing material*. Also see the following website for additional information: www.cpsc.gov/cpscpub/pubs/323.html.

X3. CONSUMER INFORMATION SHEET FOR PLAYGROUND SURFACING MATERIALS¹¹

X3.1 The U.S. Consumer Product Safety Commission (CPSC) estimates that about 100,000 playground equipment-related injuries resulting from falls to the ground surface are treated annually in U.S. hospital emergency rooms. Injuries involving this hazard pattern tend to be among the most serious of all playground injuries, and have the potential to be fatal, particularly when the injury is to the head. The surface under and around playground equipment can be a major factor in determining the injury-causing potential of a fall. It is self evident that a fall onto a shock-absorbing surface is less likely to cause a serious injury than a fall onto a hard surface. Playground equipment should never be placed on hard surfaces such as concrete or asphalt and while grass may appear to be acceptable it may quickly turn to hard packed earth in areas of high traffic. Shredded bark mulch, wood chips, fine sand or fine gravel are considered to be acceptable shock absorbing surfaces when installed and maintained at a sufficient depth under and around playground equipment.

X3.2 Table X3.1 lists the maximum height from which a child would not be expected to sustain a life-threatening head injury in a fall onto four different loose-fill surfacing materials if they are installed and maintained at depths of 6, 9, and 12 in. However, it should be recognized that all injuries due to falls cannot be prevented no matter what surfacing material is used.

X3.3 It is recommended that a shock absorbing material should extend a minimum of 6 ft in all directions from the perimeter of stationary equipment such as climbers and slides. However, because children may deliberately jump from a moving swing, the shock absorbing material should extend in the front and rear of a swing a minimum distance of 2 times the height of the pivot point measured from a point directly beneath the pivot on the supporting structure.

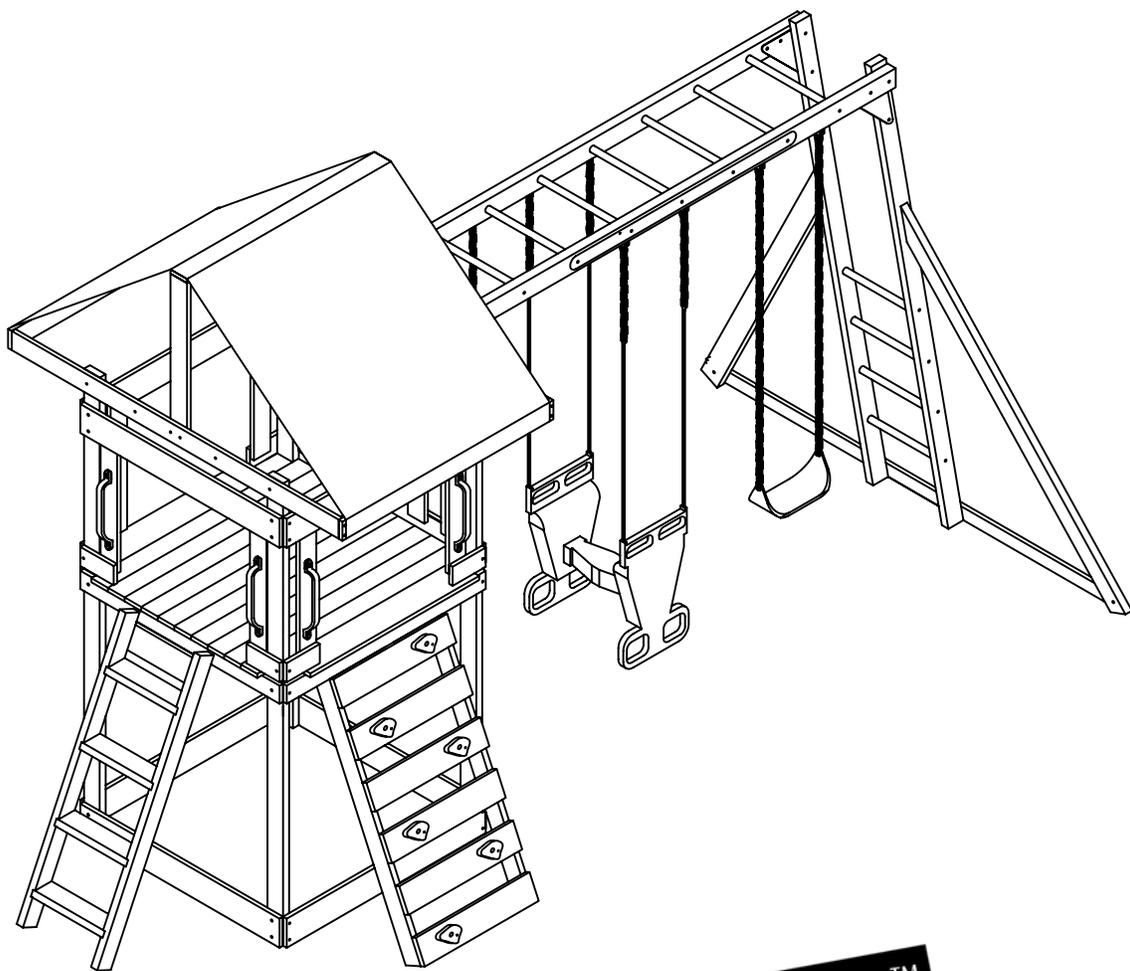
X3.4 This information is intended to assist in comparing the relative shock-absorbing properties of various materials. No particular material is recommended over another. However, each material is only effective when properly maintained. Materials should be checked periodically and replenished to maintain correct depth as determined necessary for your equipment. The choice of a material depends on the type and height of the playground equipment, the availability of the material in your area, and its cost.

¹¹This information has been extracted from the CPSC publications "Playground Surfacing — Technical Information Guide" and "Handbook for Public Playground Safety." Copies of these reports can be obtained by sending a postcard to: Office of Public Affairs, U.S. Consumer Product Safety Commission, Washington, D.C., 20207 or call the toll-free hotline: 1-800-638-2772.

The American Society for Testing and Materials takes no position respecting the validity of any patent right asserted in connection with any item mentioned in this standard. Users of this standard are expressly advised that determination of the validity of any such patent rights, and the risk of infringement of such rights, are entirely their own responsibility.

The standard is subject to revision at any time by the responsible technical committee and must be reviewed every five years and if not revised, either approved or withdrawn. Your comments are invited either for revision of this standard or for additional standards and should be addressed to ASTM Headquarters. Your comments will receive careful consideration at a meeting of the responsible technical committee, which you may attend. If you feel that your comments have not received a fair hearing you should make your views known to the ASTM Committee on Standards. 100 Barr Harbor Drive, West Conshohocken, PA 19428.

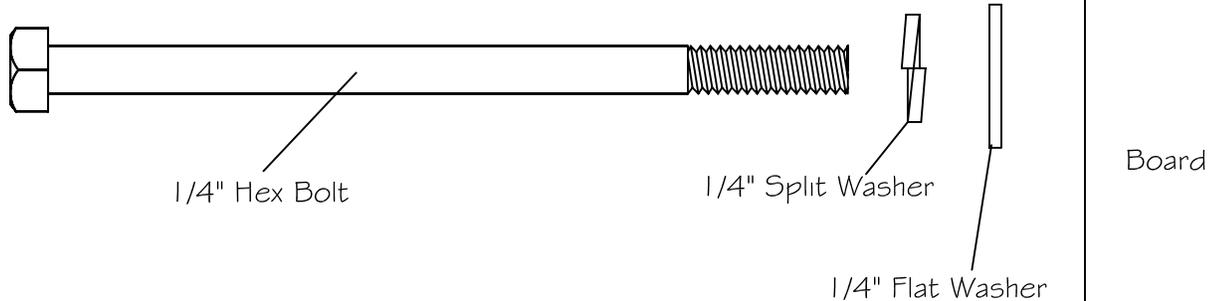
The Durango Assembly Instructions



Bolting Instructions

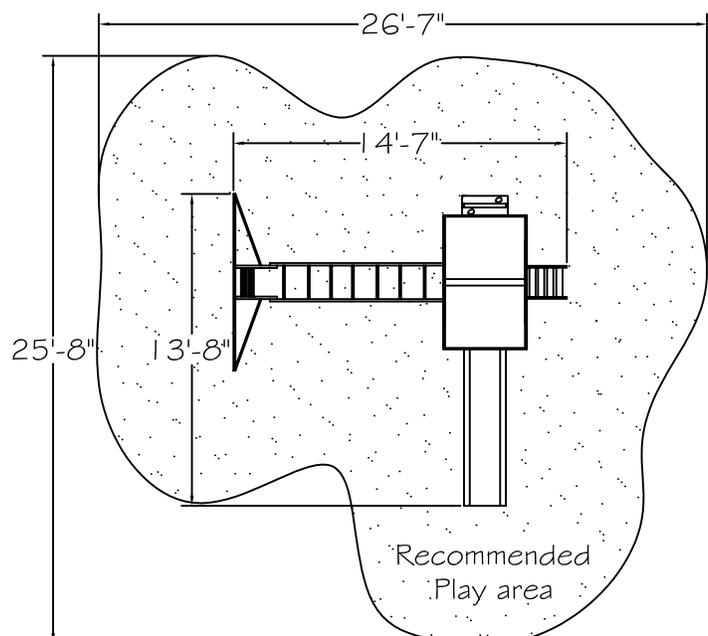
THROUGHOUT THESE INSTRUCTIONS, WHEN USING A BOLT WITH A T-NUT; A SPLIT WASHER AND FLAT WASHER MUST BE USED BETWEEN THE HEAD OF THE HEX BOLT & THE BOARDS BEING BOLTED.

USING THESE WASHERS WILL KEEP HEX BOLTS FROM LOOSENING FROM THE T-NUT AND GOING INTO THE BOARD. IF USING A 1/4" HEX BOLT, 1/4" WASHERS MUST BE USED AND IF USING A 5/16" HEX BOLT, 5/16" WASHERS MUST BE USED.



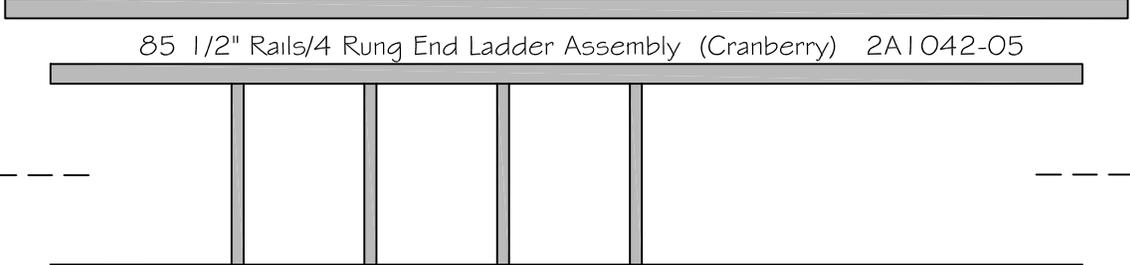
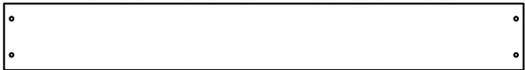
BASIC SETUP DIMENSIONS

Place the set on level ground, not less than 6ft from any structure or obstruction such as a fence, garage, house, overhanging branches, laundry lines, or electrical wires.

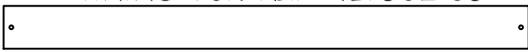
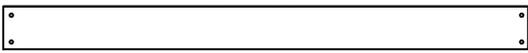
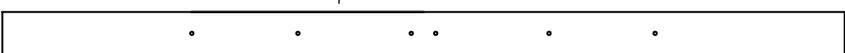
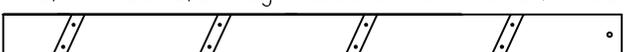
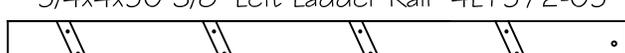
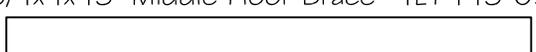
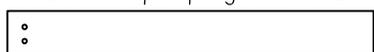
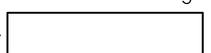
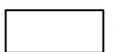
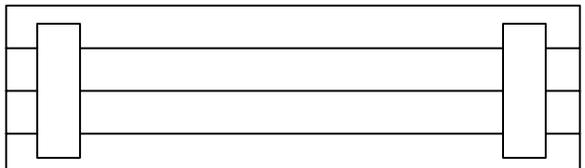


Parts Identification *Wood Components*

Notice: If you are missing any parts, have damaged parts, or have any questions, please call Adventure Playsets customer service at 1-800-856-4445. Our trained staff will answer your questions and/or expedite any parts that you may need. DO NOT contact the retailer that you purchased this product from. The retailer will not have replacement parts.

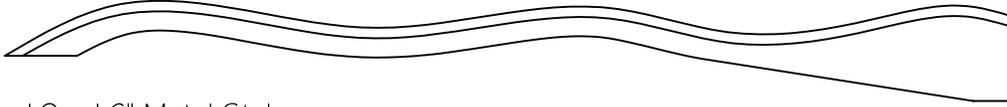
ID LETTER	DESCRIPTION	QUANTITY
A	92" Rails/7 Rung Top Ladder Assembly (Cranberry) 2A1041-05 	1
B	85 1/2" Rails/4 Rung End Ladder Assembly (Cranberry) 2A1042-05 	1
C	2x4x85 1/2" Fort Upright (Cranberry) 4LP1043-05a 	4
D	1x6x43" Fort Rail 4L1501-05 	4
E	1x6x42" Fort Rail 4L1281-05 	4
F	1x6x40 1/4" End Floor Board 4L1564-05 	2
G	1x6x24" Rockwall Board 4L1087-05 	6
H	1x6x24" Wall Slat 4L1440-05 	2
I	1x6x17 1/4" Ladder Brace 4L1317-05 	1
J	1x4x93" Monkey Bar Ground Beam 4L1383-05 	1
K	1x4x47" Floor Board 4L1405-05 	2
L	1x4x45" Tarp End Cap 4L1495-05 	2

Parts Identification *Wood Components*

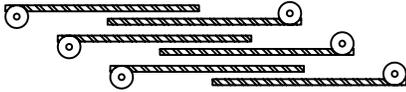
ID LETTER	DESCRIPTION	QUANTITY
M	1x4x43" Fort Rail 4L1502-05 	3
N	1x4x43" Tarp Support 4L1442-05 	1
O	1x4x42" Fort Rail 4L1444-05 	3
P	1x4x24" Wall Slat 4L1052-05 	9
Q	1x4x7" Fort Rail 4L1503-05 	4
R	1x4x7" Fort Rail 4L1446-05 	2
S	5/4x4x71" Monkey Bar Angle Brace 4L1384-05 	2
T	5/4x4x69" Tarp Cross Brace 4L1500-05 	2
U	5/4x4x50 3/8" Right Ladder Rail 4L1571-05 	1
V	5/4x4x50 3/8" Left Ladder Rail 4L1572-05 	1
W	5/4x4x47" Rockwall Support 4L1314-05 	2
X	5/4x4x43" Middle Floor Brace 4L1443-05 	1
Y	5/4x4x30" Tarp Upright 4L1316-05 	2
Z	2x4x16" Ladder Rung 4L504 	4
AA	5/4x4x8" Cleat 4L1403-05 	4
AB	Floor Panel Assembly 2A1048-05 	2

Parts Identification Accessories

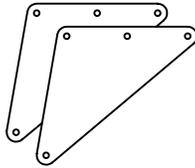
1 - 8' Wave Slide GP042



10 - 16" Metal Stakes



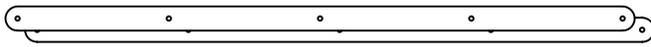
2 - Triangle End Ladder Braces
4M089



14 - 'L' Brackets 4M032



2 - 2"x50" Metal Strips 4M1018-05



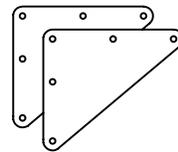
2 - Pair Hand Grips
6P002



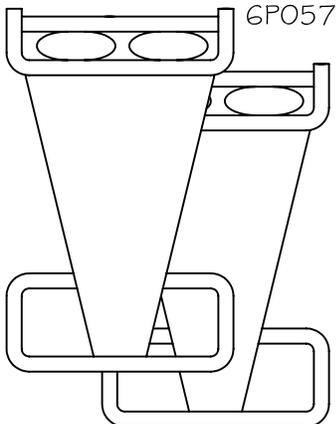
1 - Roof Tarp 6F012



2 - Metal Mending Plate
4M1006



2 - Glider Arms



GP057

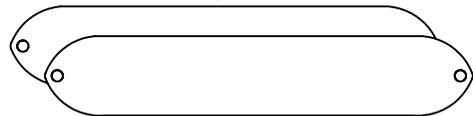
10 - Plastic
2x4 Caps
6LP301-A/ea



4 - Plastic Coated Swing Chain



2 - Swing Seats

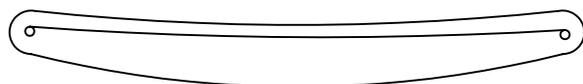


4 - Plastic Glider
Arm Caps
6P069/ea

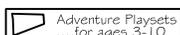
2 - 114" Plastic Coated Glider Chain 6M017



1 - Glider Seat GP023



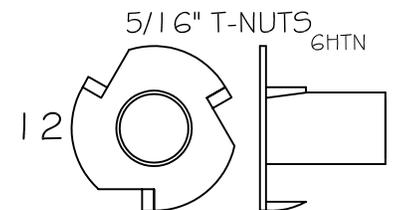
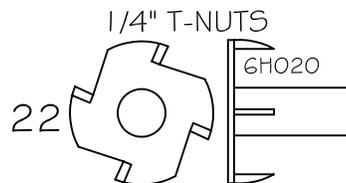
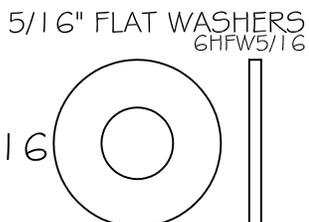
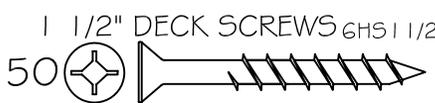
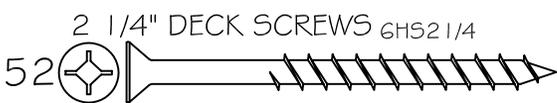
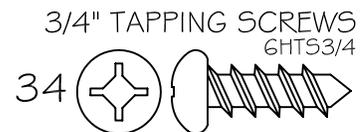
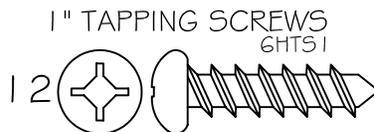
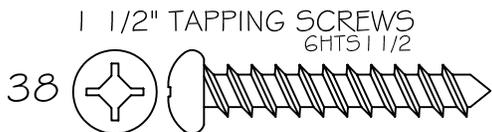
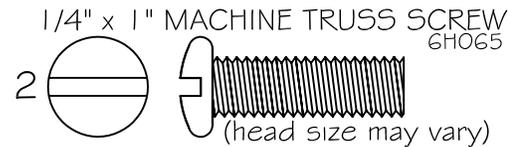
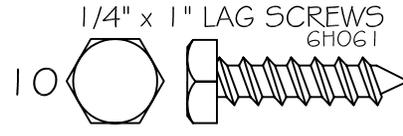
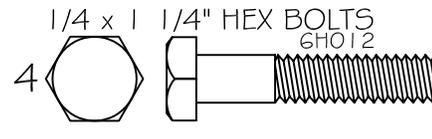
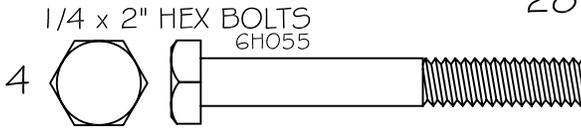
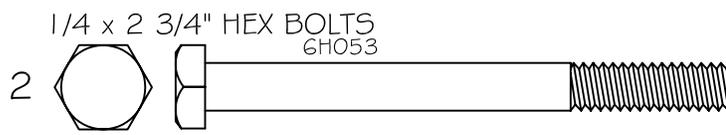
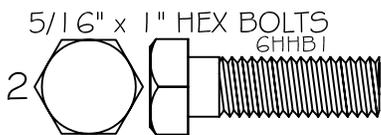
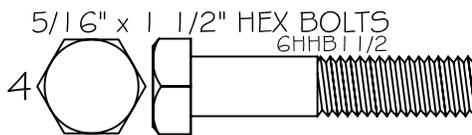
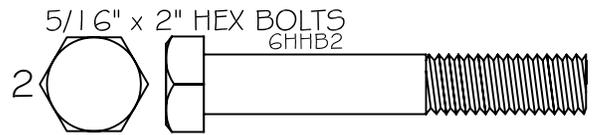
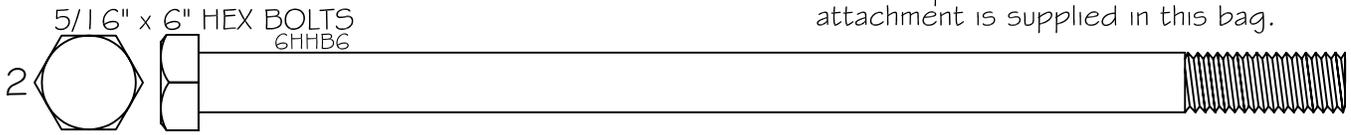
1 - Adventure Playsets Identification Sticker



Hardware Identification

FORT HARDWARE BAG - 3H1072-05

Note: Hardware that may be packaged with Yellow Hand Grips will not be used. Hardware for attachment is supplied in this bag.

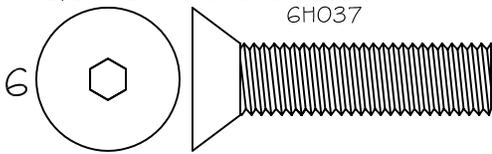


Hardware Identification

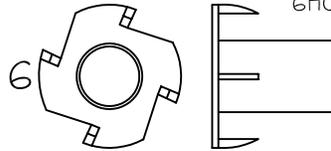
ROCKS & ROCK HARDWARE BAG - 6P043

6 ROCKWALL ROCKS (NOT SHOWN)

3/8" FLAT HEAD BOLTS
6H037



3/8" ROCK WALL T-NUTS
6H038



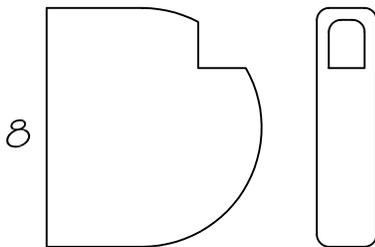
1 1/4" DECK SCREWS
6H51 1/4



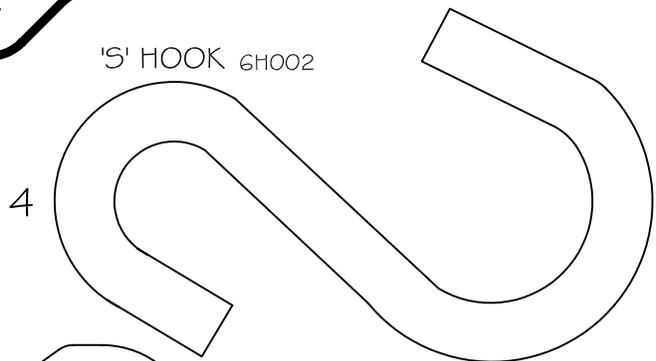
1 ALLEN
WRENCH

SWING HARDWARE BAG - 6HBO07

BLACK PLASTIC SWING
HANGER COVER 6P017



'S' HOOK 6H002



LAG SCREW SWING HANGER 6H001

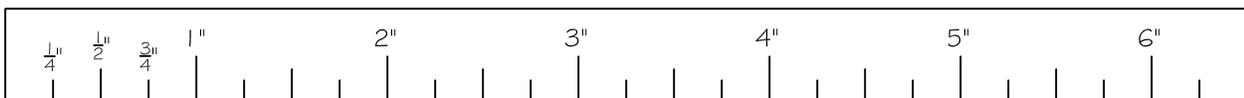
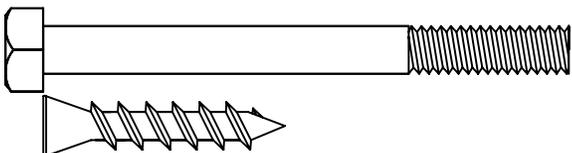


Measuring hardware

It is very important that you get the right hardware in the correct place when assembling the unit. You can use the ruler below to measure your hardware or you can compare the hardware to the hardware identification page.

NOTES:

- 1) Do not include bolt head when measuring length of bolt.
- 2) Include full length of deck screw when measuring.



PHASE 1

T-NUT & CAP INSTALLATION

Note: Flat and level surfaces should be used for assembly.

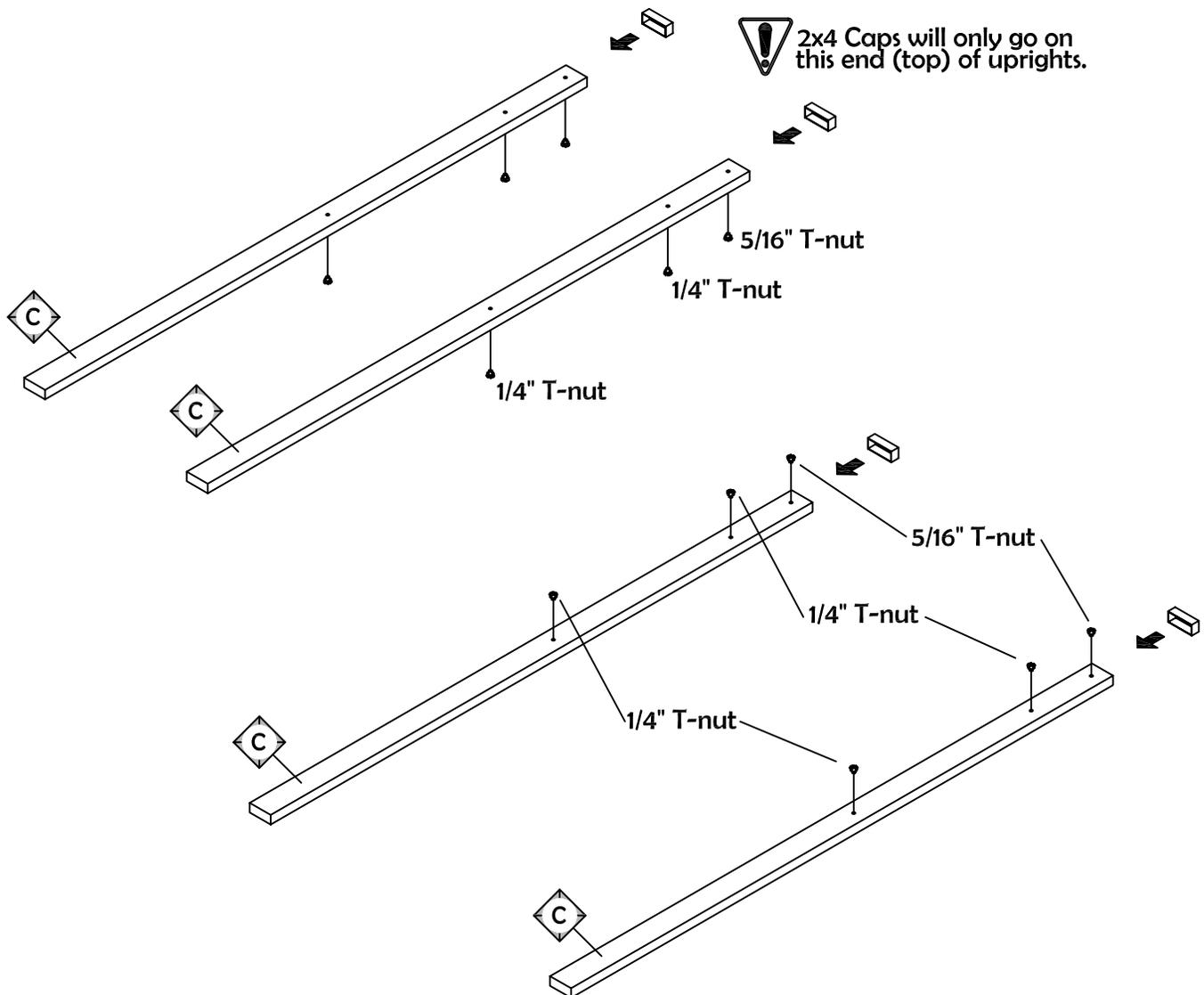
Step 1: Open all hardware bags in a box or secure container.

Step 2: Count and sort all hardware, accessories and wood components.

Step 3: Gather (4) Fort Uprights 'C' & Bag of 2x4 Caps.

Step 4: Place pre-glued caps on end of Uprights 'C' where shown and on end where hole is located approximately $1 \frac{3}{4}$ " from top. (make sure caps are on as flush as possible)

Step 5: Hammer t-nuts into holes on Uprights on sides shown. A $\frac{5}{16}$ " t-nut will go into hole on top of upright and $\frac{1}{4}$ " t-nuts will go in the other 2 holes. This will aid future assembly.



HARDWARE NEEDED FOR PHASE 1:

- (8) $\frac{1}{4}$ " T-nuts
- (4) $\frac{5}{16}$ " T-nuts
- (4) 2x4 Caps

PHASE 2

FRAME ASSEMBLY

Note: See Fig. 1 for an important note.

Step 1: Gather (4) Fort Rails 'E' & (2) Fort Rails 'O'

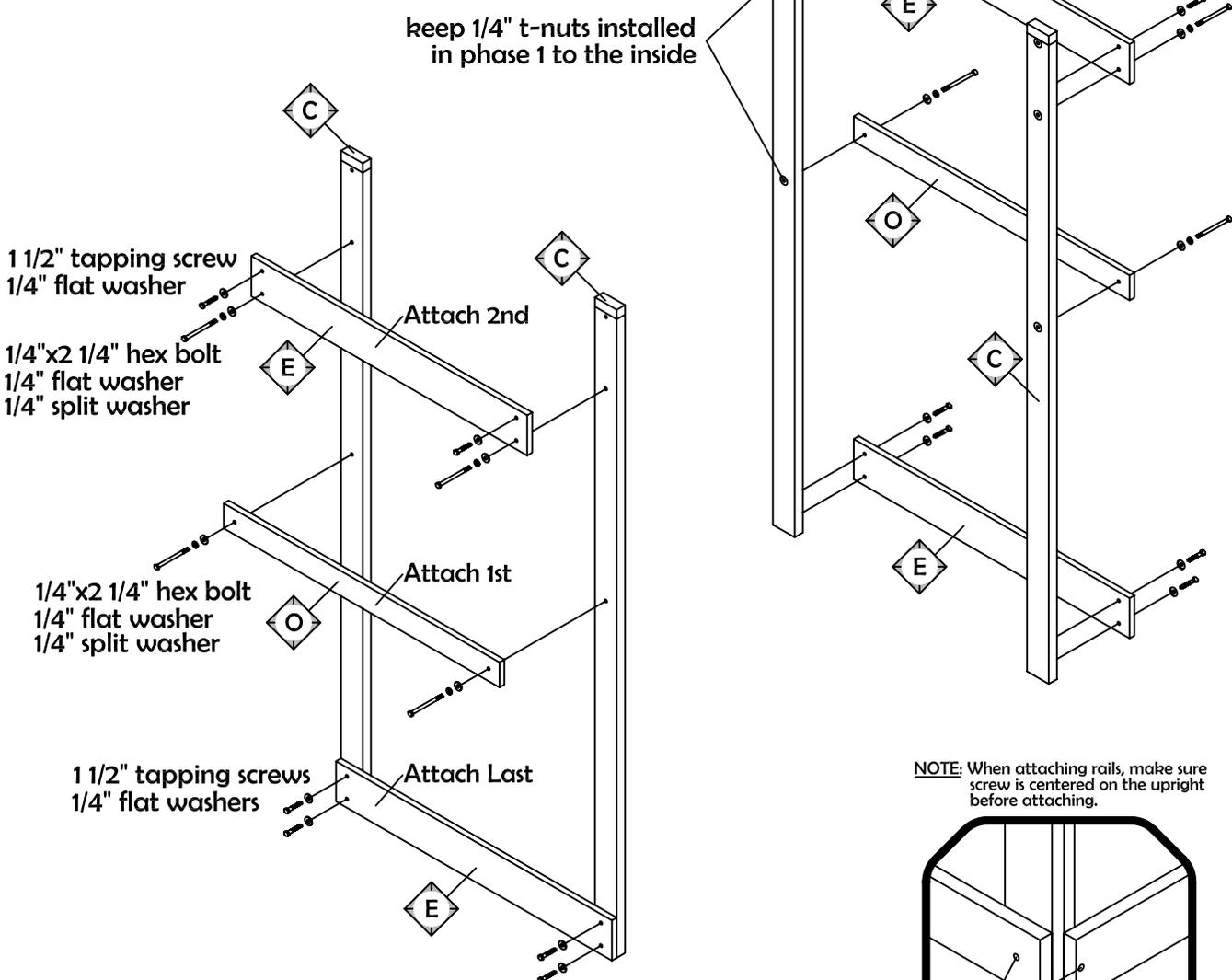
Step 2: Attach Fort Rails 'O' to Fort Uprights 'C' where shown with 2 1/4" hex bolts, 1/4" split washers & 1/4" flat washers as shown.

Step 3: Attach (1) Fort Rail 'E' to the top of each Fort Upright 'C' with 2 1/4" hex bolt and washers shown through the bottom hole and 1 1/2" tapping screw w/ 1/4" flat washers through the top hole as shown.

Step 4: Make sure the frame is square and attach (1) Fort Rail 'E' to the bottom of each Fort Upright 'C' with 1 1/2" tapping screws & 1/4" Flat washers as shown.



Note: Fort Rails must be attached in order shown.



HARDWARE NEEDED FOR PHASE 2:
(12) 1 1/2" Tapping Screws
(8) 1/4" x 2 1/4" Hex Bolts
(20) 1/4" Flat Washers
(8) 1/4" Split Washers

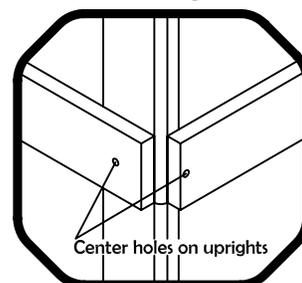


FIG. 1

PHASE 3

FRAME ASSEMBLY

Step 1: Gather (4) Fort Rails 'D' & (2) Fort Rails 'M'

Step 2: Attach Fort Rails 'D' & 'M' to uprights, even with previously placed rails with 2 1/2" tapping screws & 1/4" flat washers as shown. The outside dimension of uprights must measure 43". (see Fig. 2 for an important note)

NOTE: When attaching rails, make sure screw is centered on the upright before attaching. The corners of rails will not touch.

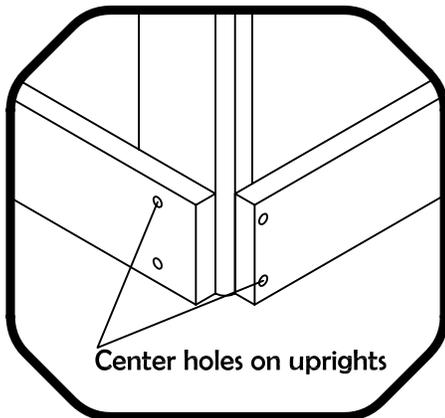
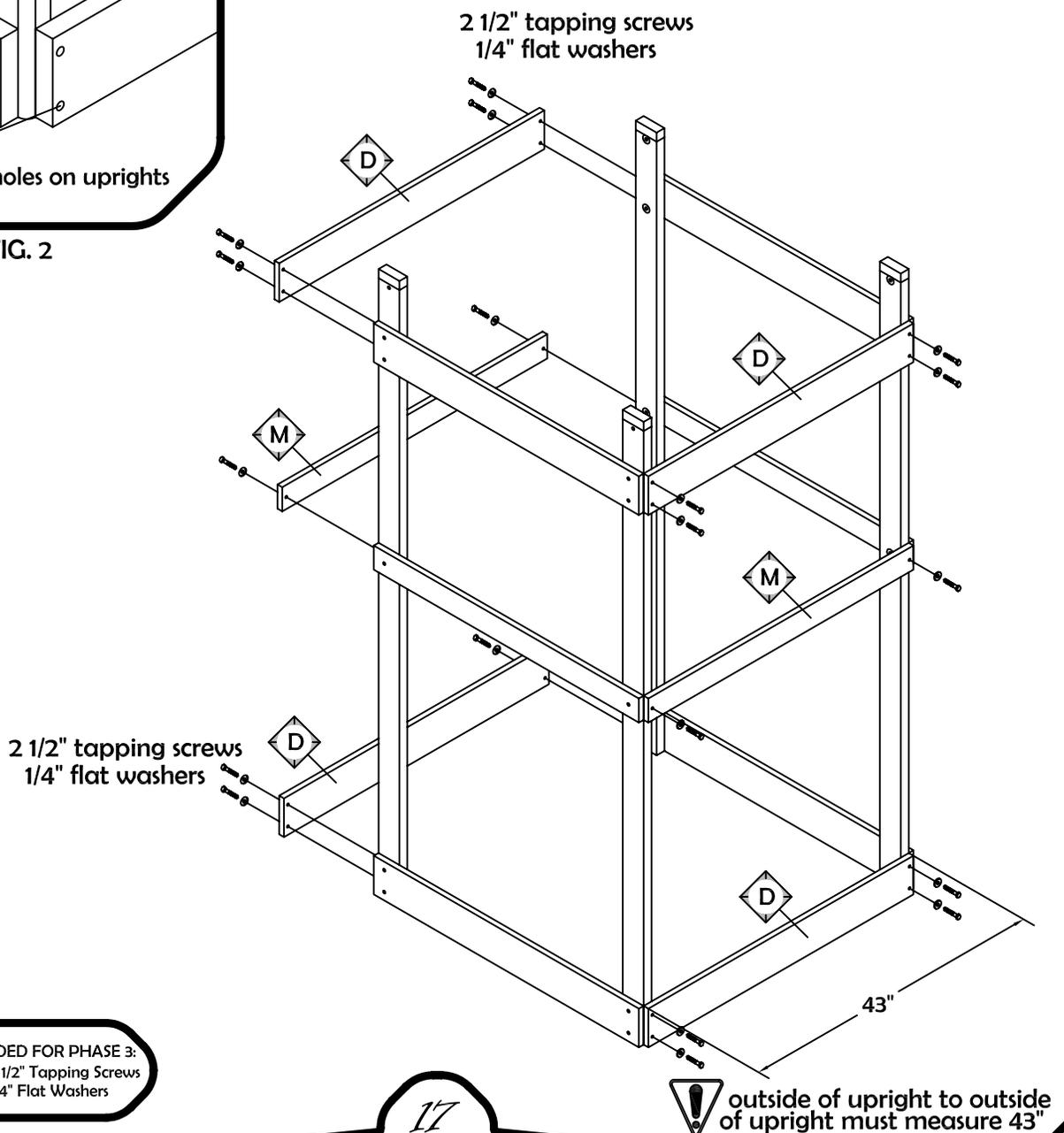


FIG. 2



HARDWARE NEEDED FOR PHASE 3:
(20) 2 1/2" Tapping Screws
(20) 1/4" Flat Washers

PHASE 4

FLOOR ASSEMBLY & ATTACHMENT

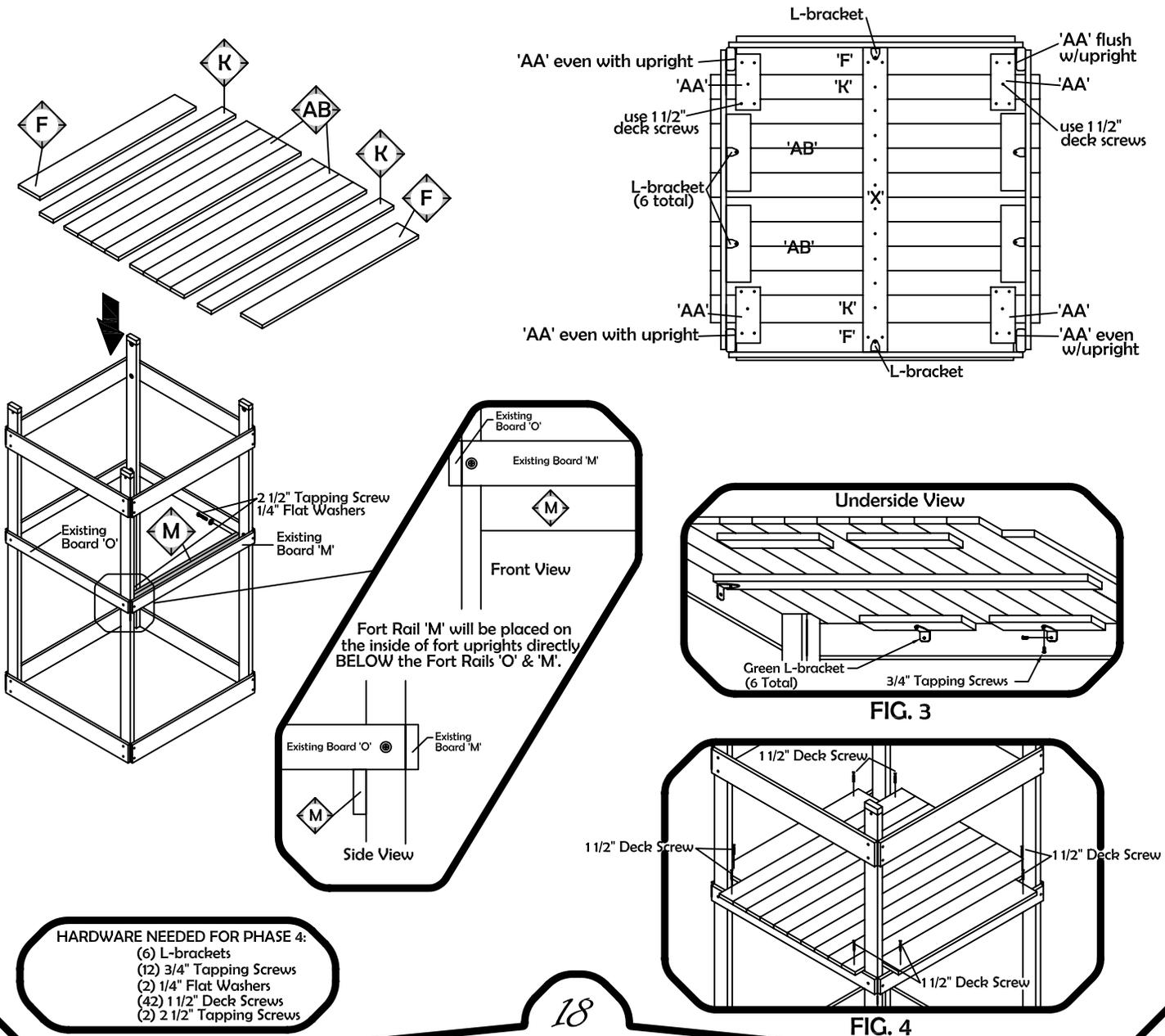
Step 1: Gather (2) End Floor Boards 'F', (2) Floor Boards 'K', (2) Floor Panels 'AB', (4) Cleats 'AA', (1) Floor Brace 'X' & (1) Fort Rail 'M'.

Step 2: Attach Fort Rail 'M' to inside of Fort on side shown, just BELOW previously placed rails 'O' (phase 2) & 'M' (phase 3), with 2 1/2" tapping screws and 1/4" flat washers as shown.

Step 3: Place floor boards and panels on fort where shown. Align loose floor boards with panels and center end floor boards between uprights. Secure Floor Boards 'K' and End Floor Boards 'F' to 'O' & 'M' with 1 1/2" deck screws where shown. (see fig. 4)

Step 4: Secure panels and floor boards to fort rails 'O' where shown with L-brackets, 2 per panel. (see fig. 3)

Step 5: Attach floor brace 'X' centered on floor, and cleats 'AA' as shown to underside of floor with 1 1/2" deck screws and L-brackets w/ 3/4" tapping screws as indicated. (see floor detail & fig. 3)



PHASE 5

LADDER ASSEMBLY

Step 1: Gather (4) deck ladder rungs 'Z', ladder rails 'U' and 'V', deck ladder brace 'I' and (2) L-brackets.

Step 2: Assemble ladder as shown in details below.

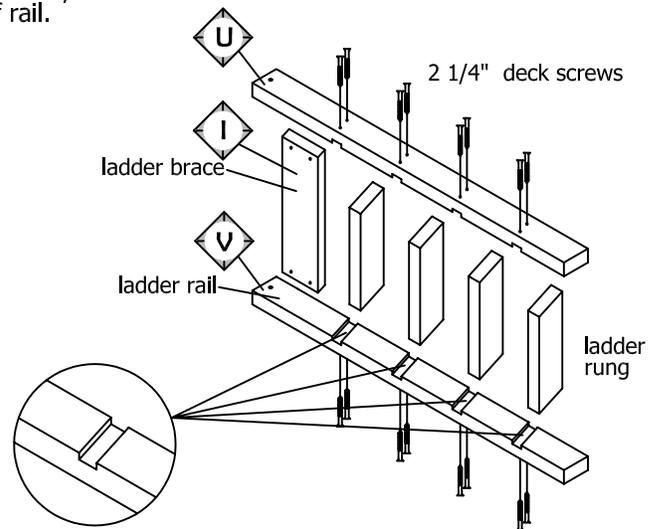
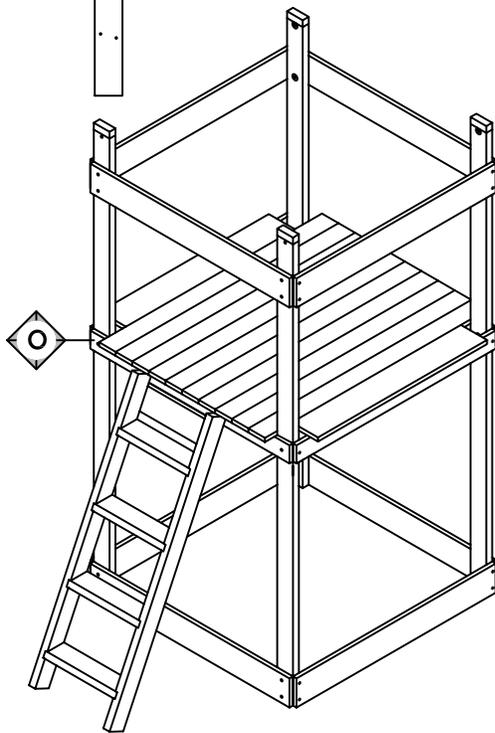
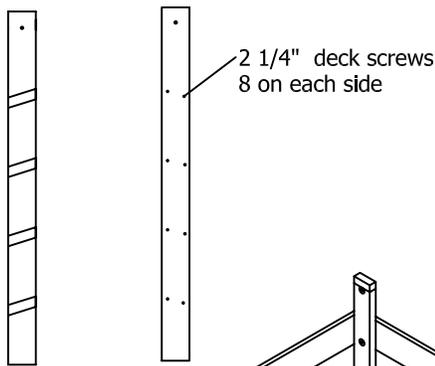
Step 3: Prop deck ladder assembly against fort rail 'O' on uprights 'C'. Center L-brackets on fort rail and attach with 3/4" tapping screws. (see fig.5)

Note: This will help you get into the fort for the following phases.

Assembly Instructions

- Place ladder rail flat with dado cuts facing up.
- Fasten rungs to rails with deck screws as shown.
- Attach deck ladder to fort as shown.
- Attach ladder brace to back side of rails with 1 1/2" deck screws 1 1/2" down from top of rail.

Inside View Outside View



Dado cuts

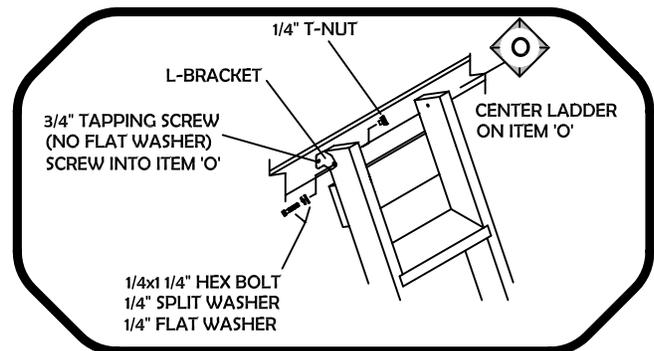


FIG. 5

HARDWARE NEEDED FOR PHASE 5:

- (2) L-brackets
- (16) 2 1/4" Deck Screws
- (2) 1/4" Flat Washers
- (2) 1/4"x1 1/4" Hex Bolts
- (4) 1 1/2" Deck Screws
- (2) 1/4" Split Washers
- (2) 1/4" T-nuts
- (2) 3/4" Tapping Screws



L-Brackets on Ladder must be centered on Fort Rail 'O'

PHASE 6

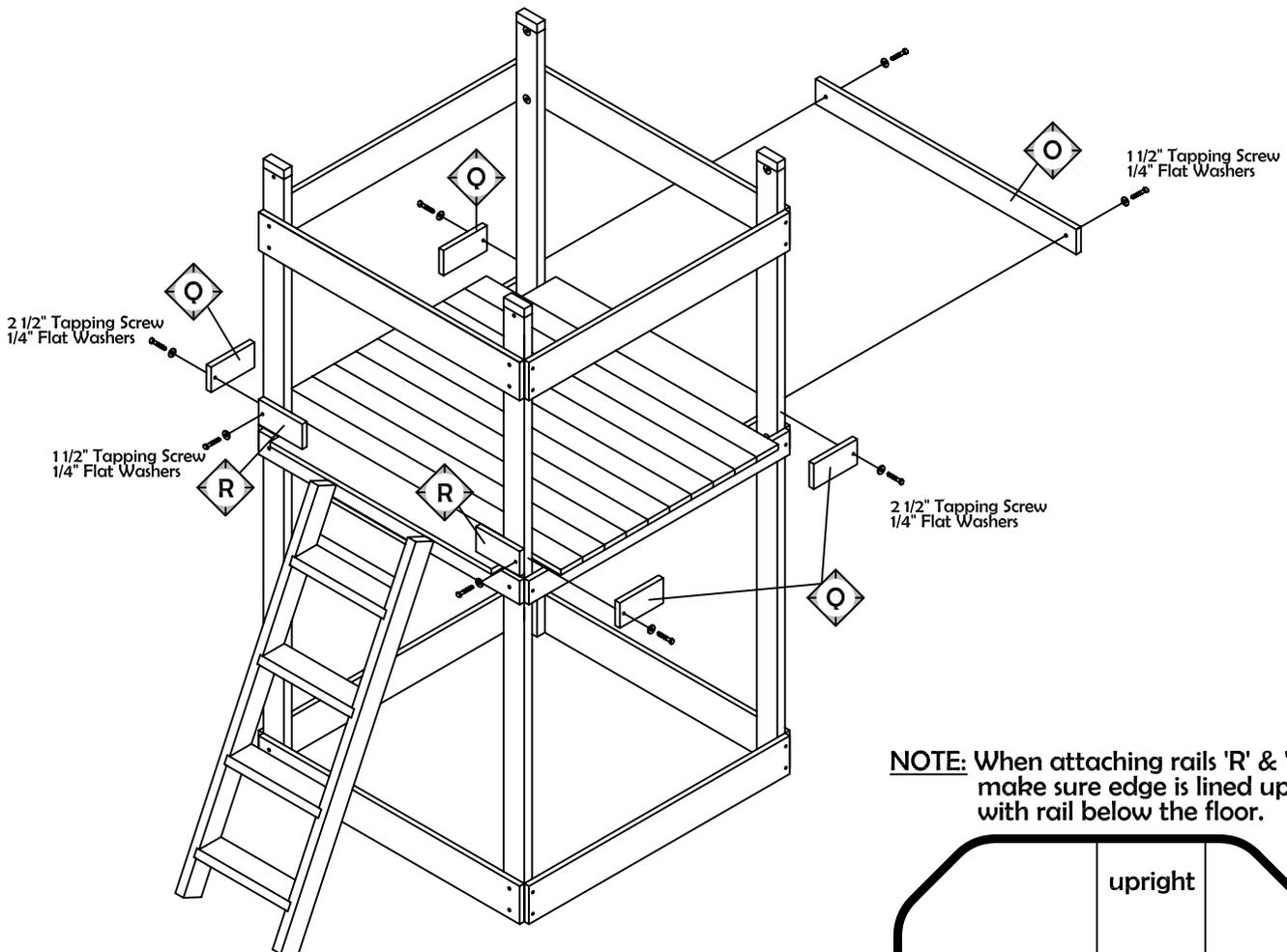
WALL ASSEMBLY

Step 1: Gather (2) Fort Rails 'R', (4) Fort Rails 'Q' & (3) Fort Rail 'O'.

Step 2: Attach Fort Rails 'R' to Uprights shown, flush with the top of floor and even with floor support w/ 1 1/2" tapping screws as shown. (see fig. 6)

Step 3: Attach (1) Fort Rail 'O' to back uprights, flush with floor and (2) flush with top wall rails w/ 1 1/2" tapping screws as shown. (see fig. 6)

Step 4: Attach Fort Rails 'Q' to Uprights shown, flush with the top of floor and even with floor support w/ 1 1/2" tapping screws as shown. (see fig. 6)



NOTE: When attaching rails 'R' & 'O', make sure edge is lined up with rail below the floor.

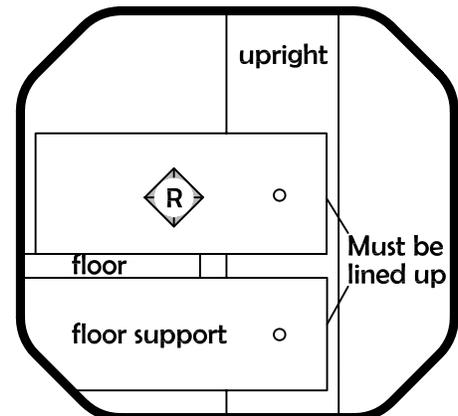


FIG. 6

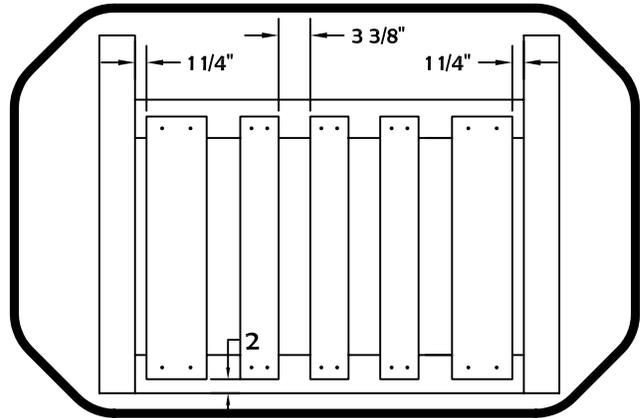
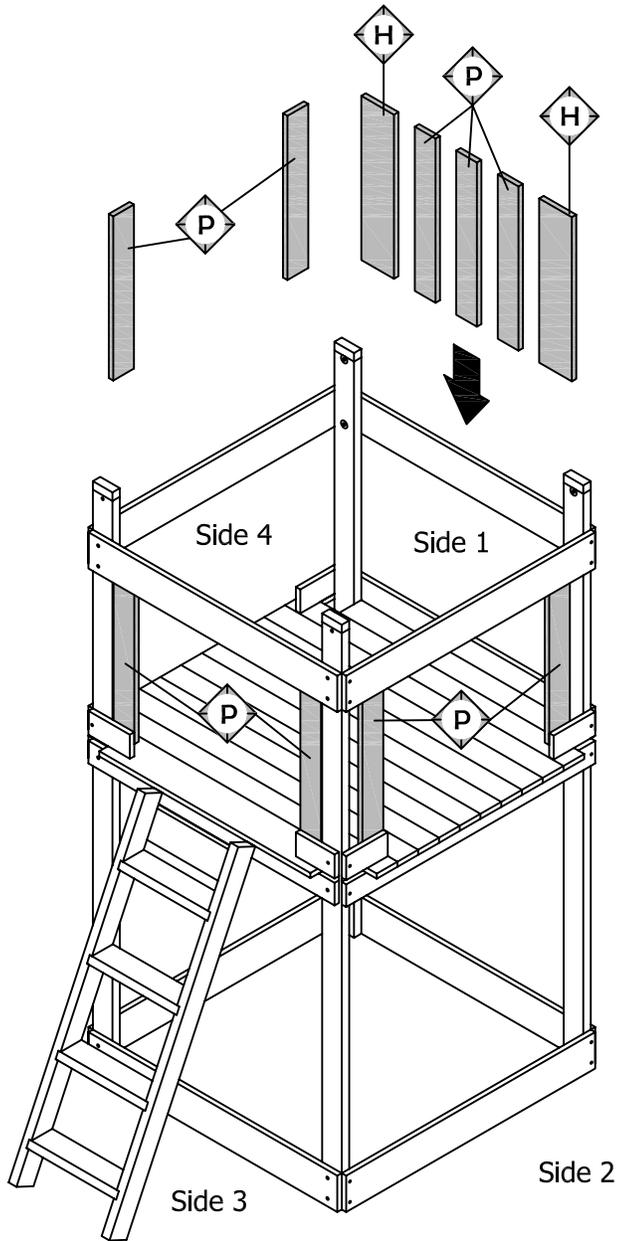
HARDWARE NEEDED FOR PHASE 6:
(4) 2 1/2" Tapping Screws
(4) 1 1/2" Tapping Screws
(8) 1/4" Flat Washers

PHASE 7

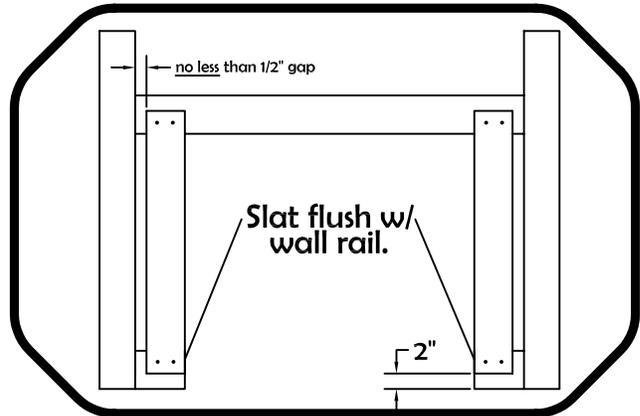
WALL ASSEMBLY

Step 1: Gather (9) Wall Slats 'P' & (2) Wall slats 'H'.

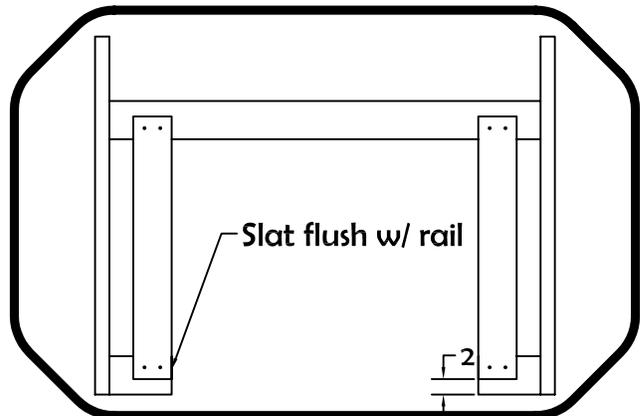
Step 2: Attach Wall Slats to every side of fort w/ (4) 1 1/4" deck screws per slat. Attach approx. 2" above floor as shown in diagrams below.



Side 1



Side 3



Side 2 & 4

HARDWARE NEEDED FOR PHASE 7:
(44) 1 1/4" Deck Screws

PHASE 8

ROCKWALL ASSEMBLY

Step 1: Gather (6) Rockwall Boards 'G', (2) Rockwall Supports 'W', Rock Hardware Bag and (2) L-brackets.

Step 2: Assemble rockwall as shown in the details.

A: Start at top and attach rockwall boards to rockwall supports 3 1/8" down, using (4) 2 1/4" deck screws per board ('step A' detail). After attaching first board, space boards 2 3/16" apart and alternate rock holes so that they do not form a straight line.

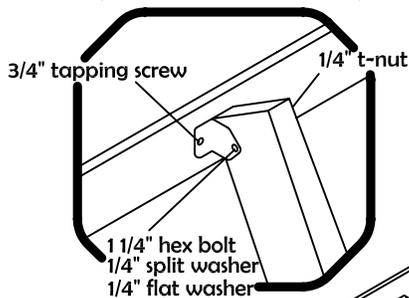
B: Hammer t-nuts into back of rockwall boards. ('step b' detail')

C: Using the flat head bolts provided, attach climbing rock to rockwall boards. ('step C' detail)

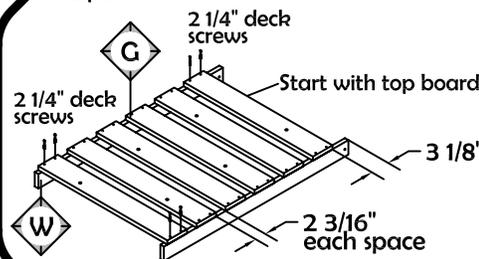
Step 3: Attach rockwall with L-brackets to 'M' as shown. (See 'L-bracket' and 'attachment' details)

L-BRACKET DETAIL

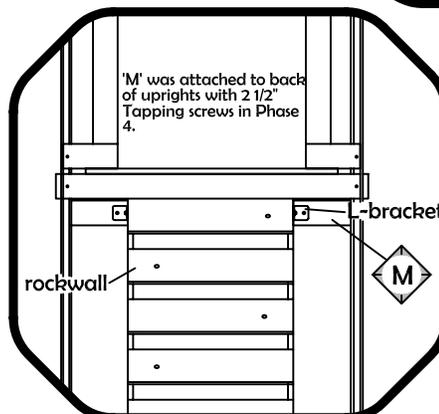
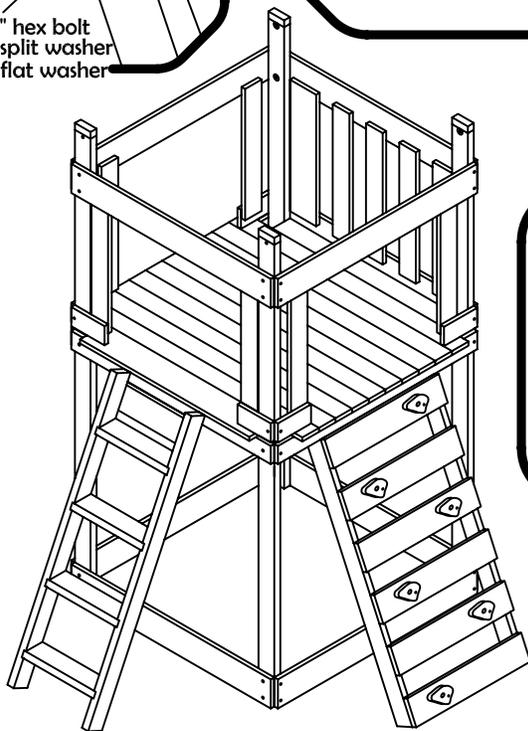
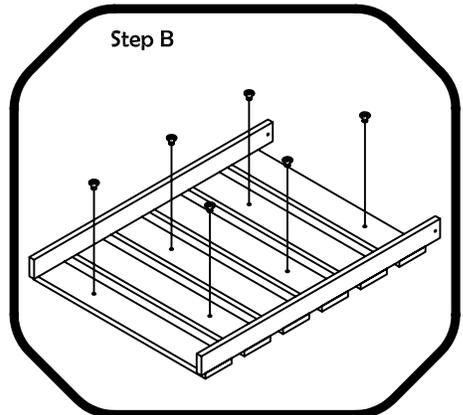
(L-bracket centered on rail)



Step A

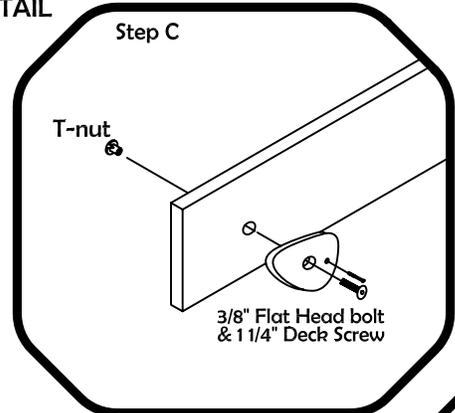


Step B



ATTACHMENT DETAIL

Step C



HARDWARE NEEDED FOR PHASE 8:

- (2) 1 1/4" Hex Bolts
- (2) 1/4" Split Washers
- (2) 1/4" Flat Washers
- (2) 1/4" T-nuts
- (6) 1 1/4" Deck Screws
- (2) 3/4" Tapping Screws
- (2) L-brackets
- (24) 2 1/4" Deck Screws
- (6) Rockwall Rocks
- Rock Hardware

PHASE 9

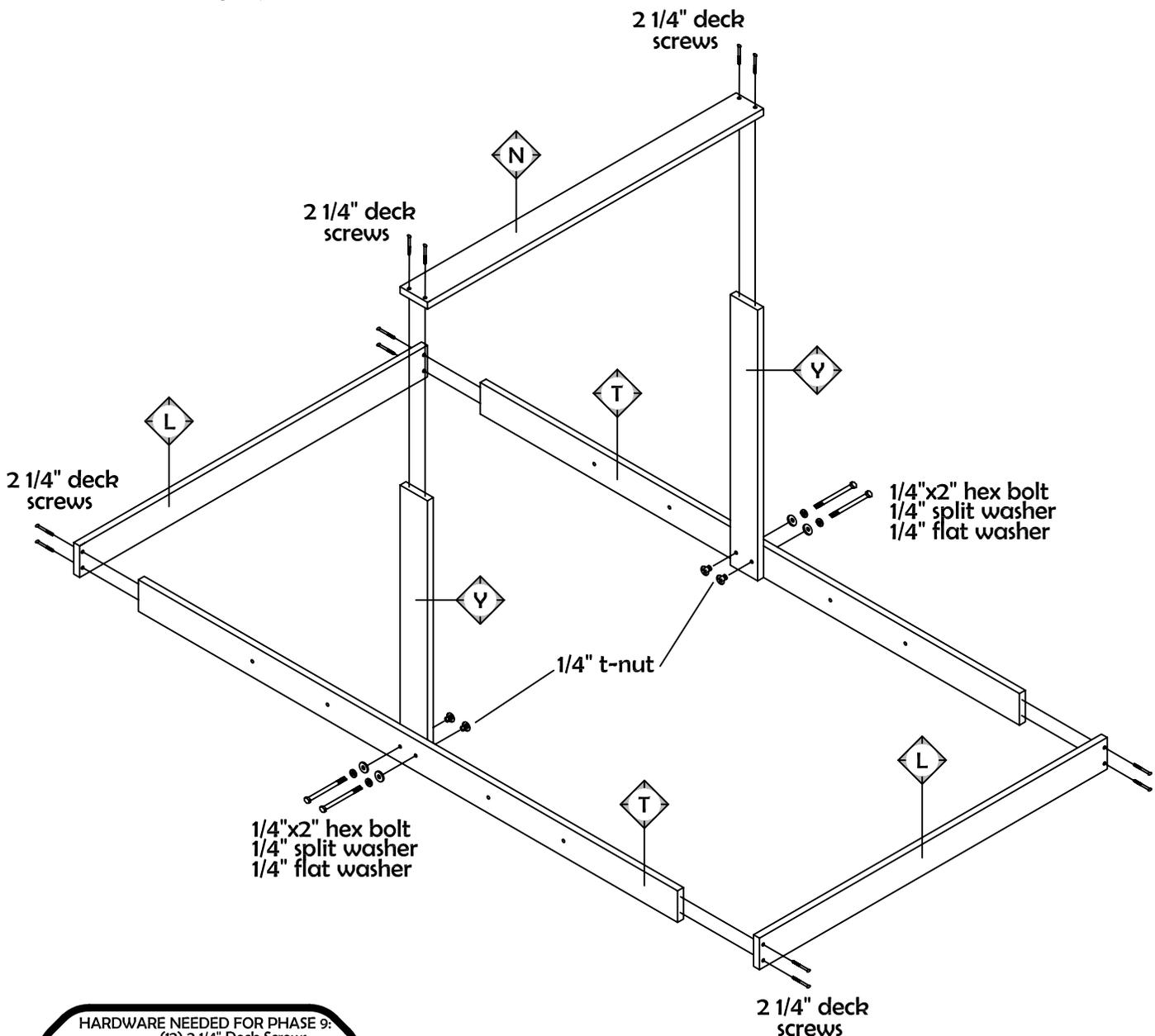
TARP ROOF ASSEMBLY

Step 1: Gather (2) Tarp Cross Braces 'T', (2) Tarp End Caps 'L', (2) Tarp Uprights 'Y' & Tarp Support 'N'.

Step 2: Assemble tarp frame as shown below.

Step 3: Attach tarp uprights 'Y' to cross braces w/ 2" hex bolts. Next, place tarp support across the top of uprights. Keep ends flush & attach w/ 2 1/4" deck screws using pre-drilled holes located on tarp support.

Step 4: Attach tarp end caps 'L' to cross braces with 2 1/4" deck screws through pre-drilled holes.



HARDWARE NEEDED FOR PHASE 9:
(12) 2 1/4" Deck Screws
(4) 1/4"x2" Hex Bolts
(4) 1/4" Flat Washers
(4) 1/4" Split Washers
(4) 1/4" T-nuts

PHASE 10

TARP ROOF ATTACHMENT

Step 1: Gather Tarp Assembly from Phase 9, Tarp & (2) Mending Plates.

Step 2: Attach (2) mending plates onto uprights 'C' and wall slats 'H' with 3/4" tapping screws where shown. (See fig. 7)

Step 2: Attach Tarp Assembly to the top of fort by placing 5/16"x2 1/4" hex bolts through top holes of uprights and into previously placed t-nuts.

Step 3: Place Tarp over Tarp Support 'N', Loop on tarp end caps 'L' and secure with 3/4" tapping screws and 1/4" flat washers as shown. (Keep tarp pulled tight while securing.)

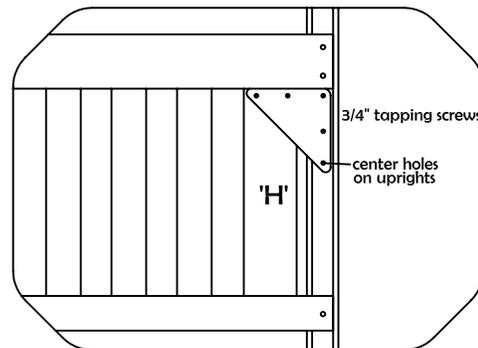
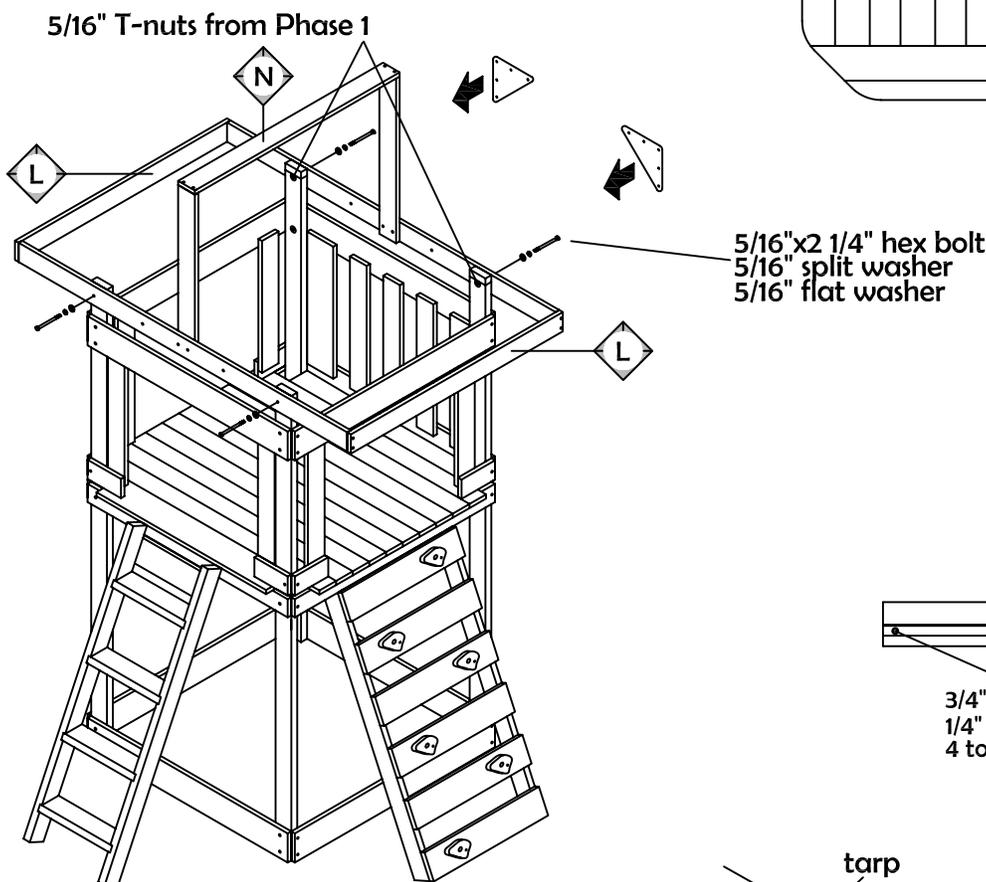
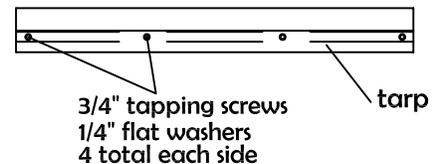


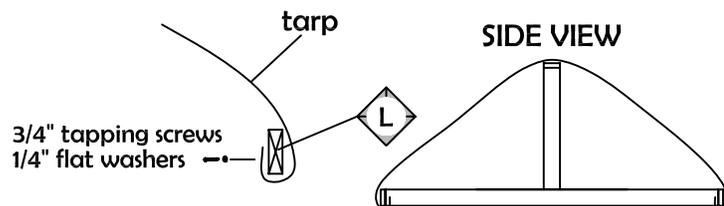
FIG. 7



INSIDE VIEW



SIDE VIEW



HARDWARE NEEDED FOR PHASE 10:

- (4) 5/16"x2 1/4" Hex Bolts
- (18) 3/4" Tapping Screws
- (8) 1/4" Flat Washers
- (4) 5/16" Flat Washers
- (4) 5/16" Split Washers
- (2) Metal Mending Plates

PHASE 11

HAND GRIP ATTACHMENT

Step 1: Gather (4) Hand Grips & (1) Adventure Playsets ID Sticker.

Step 2: Four of wall slats 'P' will take yellow handles. Center handles on wall slats above both the rockwall and deck ladder. Attach using hardware shown. (see fig.8) DO NOT use hardware in handle bag.

Step 3: Peel backing off of ID Sticker and place sticker on tarp where shown.

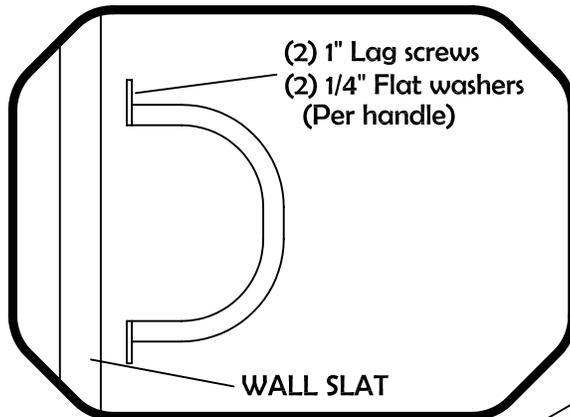
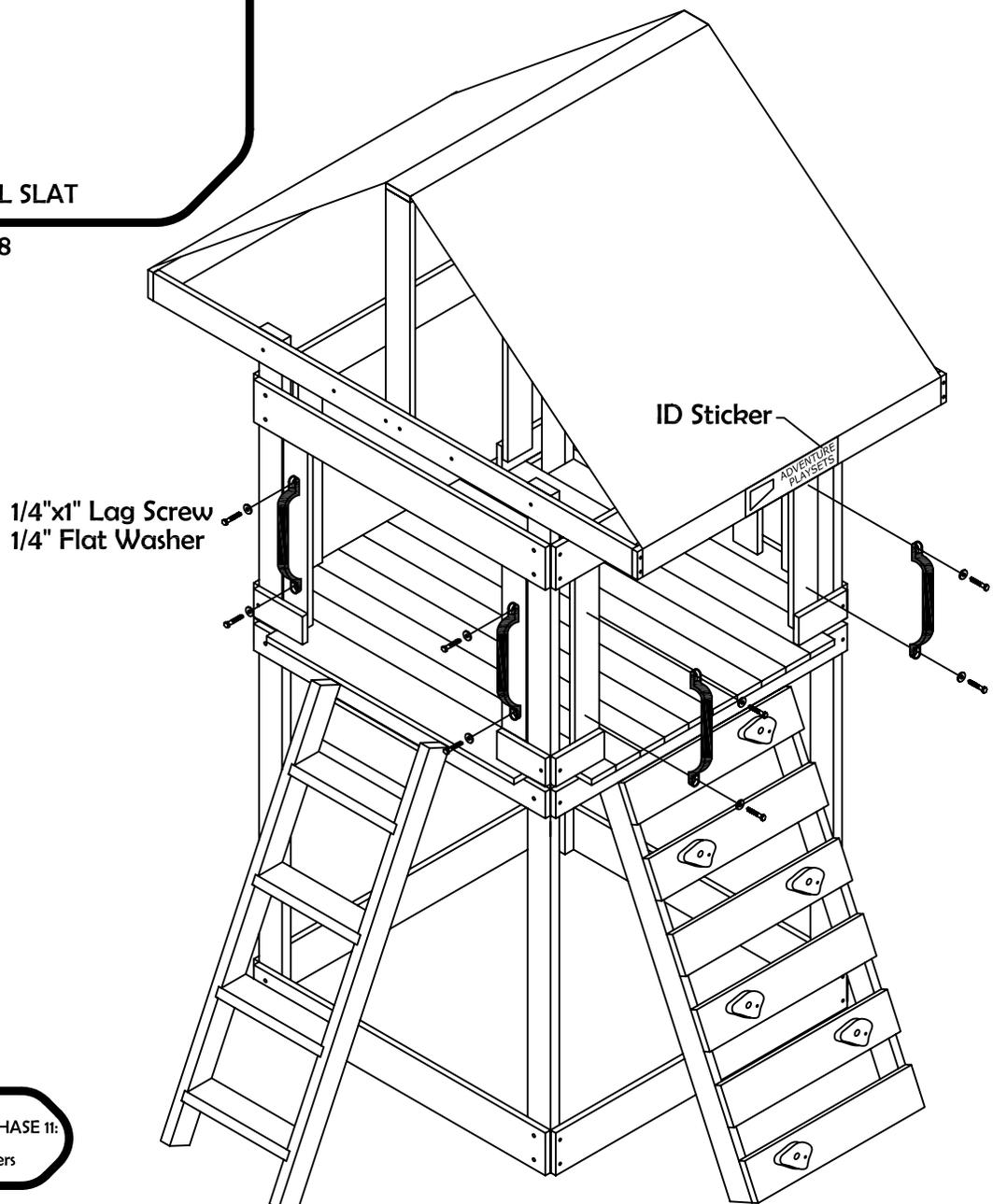


FIG. 8



HARDWARE NEEDED FOR PHASE 11:
(8) 1" Lag Screws
(8) 1/4" Flat Washers

PHASE 12

MONKEY BAR ASSEMBLY

Step 1: Gather (1) Top Ladder Assembly 'A', (1) End Ladder Assembly 'B', Metal Strip & Plastic 2x4 Caps.

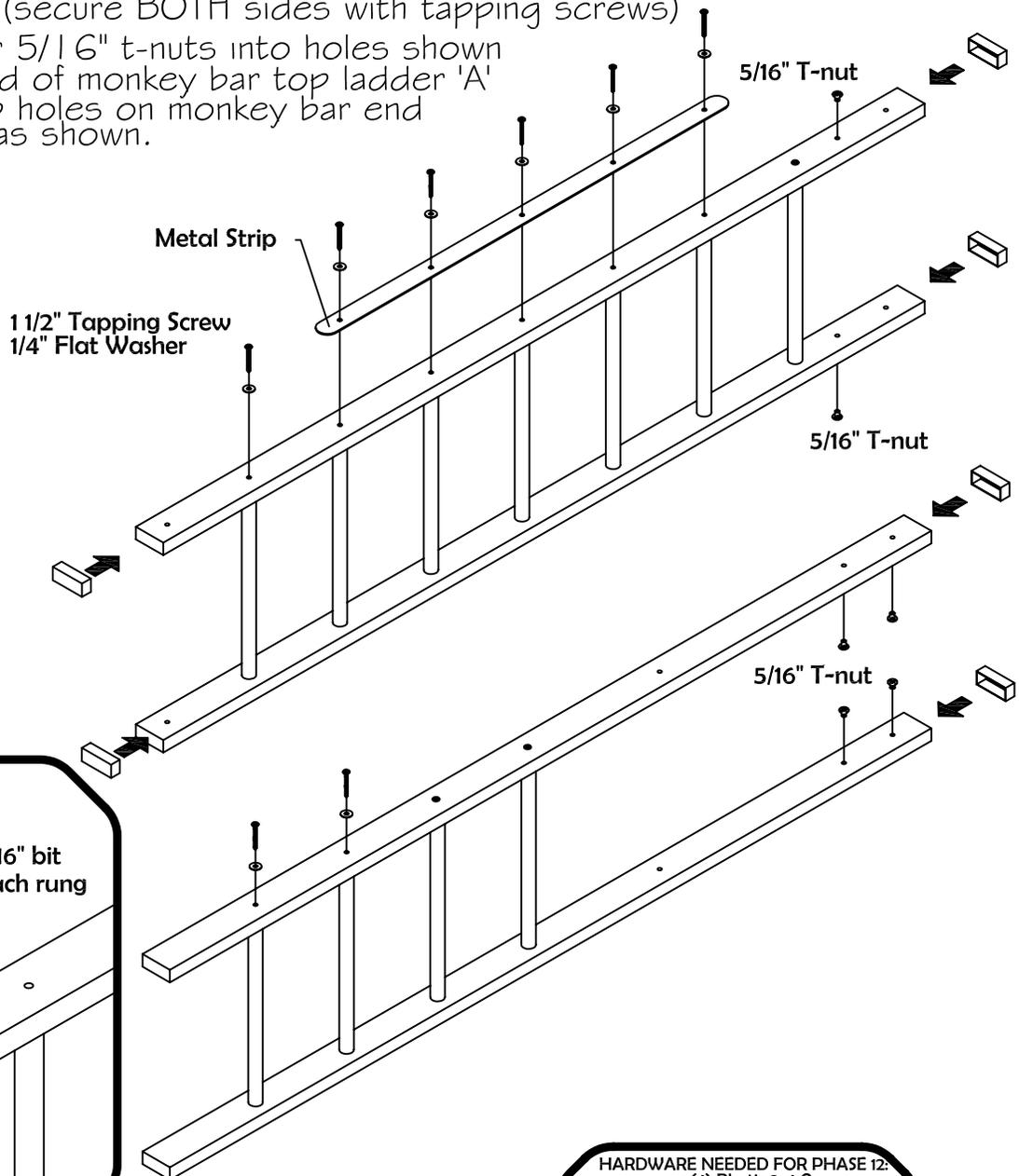
Step 2: Apply caps to ends of ladders where shown.

Step 3: Using a drill with a 3/16" bit, pre-drill a hole approximately 1 1/2" deep into each wooden rung on each ladder assembly. This will aid step 4 & 5. (See fig. 9)

Step 4: Secure Metal Strip to each side of Monkey Bar Top Ladder WHERE SHOWN with 1 1/2" tapping screws & 1/4" flat washers.

Step 5: On both ladders, secure ladder rails to remaining rungs by using a 1 1/2" tapping screw & 1/4" flat washer through pre-drilled hole as shown. (secure BOTH sides with tapping screws)

Step 6: Hammer 5/16" t-nuts into holes shown near end of monkey bar top ladder 'A' and top holes on monkey bar end ladder as shown.



HARDWARE NEEDED FOR PHASE 12:
(4) Plastic 2x4 Caps
(2) 2x50 Metal Strips
(22) 1 1/2" Tapping Screws
(22) 1/4" Flat Washers
(6) 5/16" T-nuts

Fig. 9

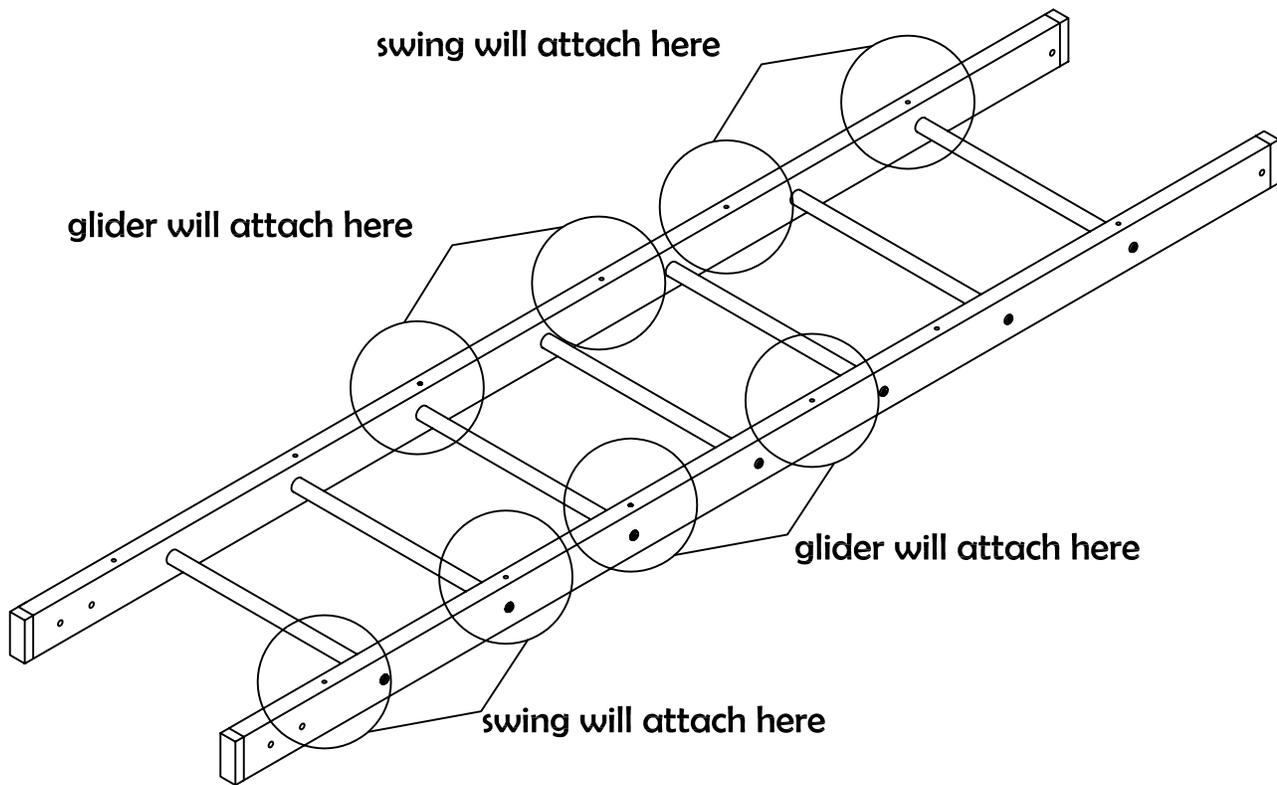
PHASE 13

SWING HANGER INSTALLATION

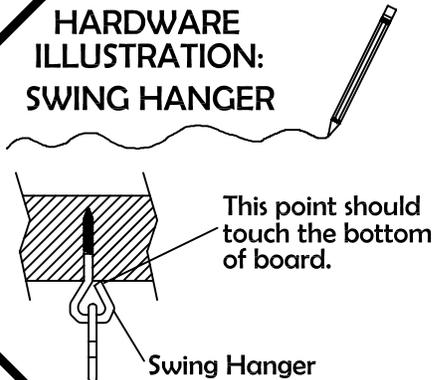
Step 1: Gather (8) Lag Screw Swing Hangers.

Step 2: Screw Lag Screw Swing Hangers into pilot holes on top ladder in pattern as shown below.

Put Swing Hangers in circled holes.



HARDWARE ILLUSTRATION: SWING HANGER



The Lag Screw Swing Hanger must be screwed in so that the tip of the swing hanger is touching the receiving board.

NOTE: Triangular bend on swing hanger must run parallel with board.

HARDWARE NEEDED FOR PHASE 13:
(8) Lag Screw Swing Hangers
w/ Black Plastic Covers

PHASE 14

MONKEY BAR ASSEMBLY

- Step 1: Gather (1) Top Ladder 'A', (1) End Ladder 'B', (4) L-Brackets & (2) Metal Angle Braces.
- Step 2: Attach Monkey Bar End Ladder to Monkey Bar Top Ladder with Metal Angle Braces between the two and with hardware shown. (See Fig. 10)
- Step 3: Attach (2) L-brackets to the end of each Top Ladder Rail with 2" Hex Bolts and hardware shown. (See Fig. 11)

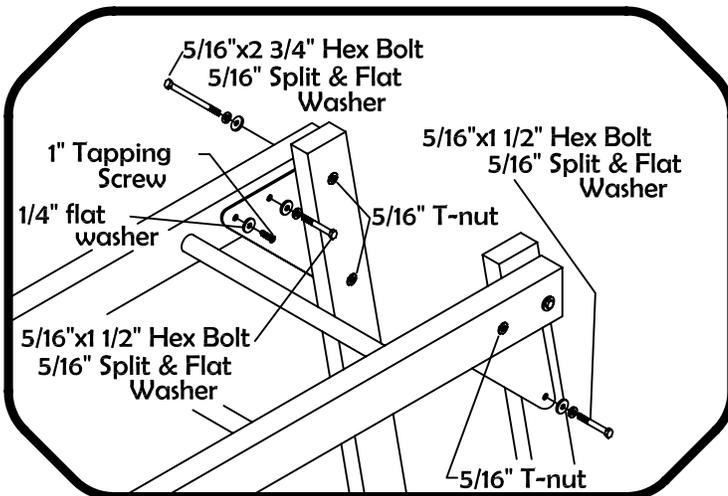
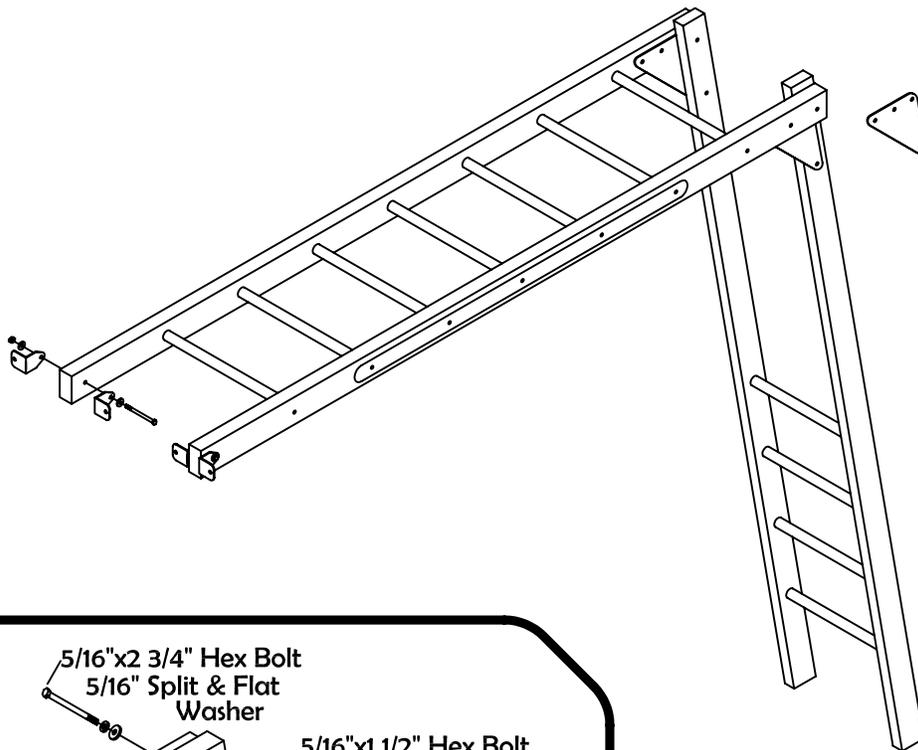


FIG. 10.

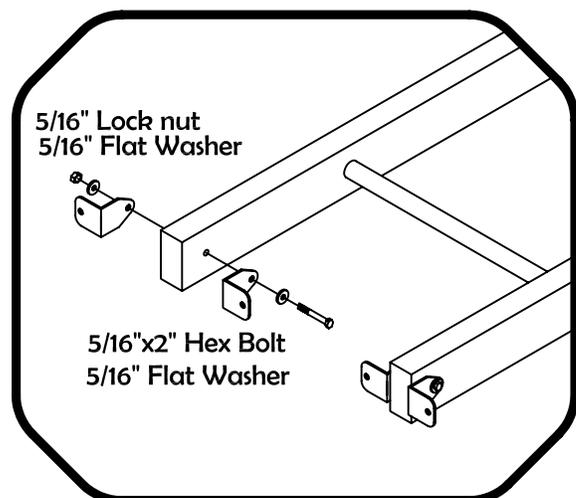


FIG. 11

HARDWARE NEEDED FOR PHASE 14:

- (2) 5/16" x 2 3/4" Hex Bolts
- (2) 1" Tapping Screws
- (10) 5/16" Flat Washers
- (6) 5/16" Split Washers
- (4) 5/16" x 1 1/2" Hex Bolts
- (2) 1/4" Flat Washers
- (4) 5/16" T-nuts
- (2) 5/16" x 2" Hex Bolts
- (2) 5/16" Lock nuts

PHASE 15

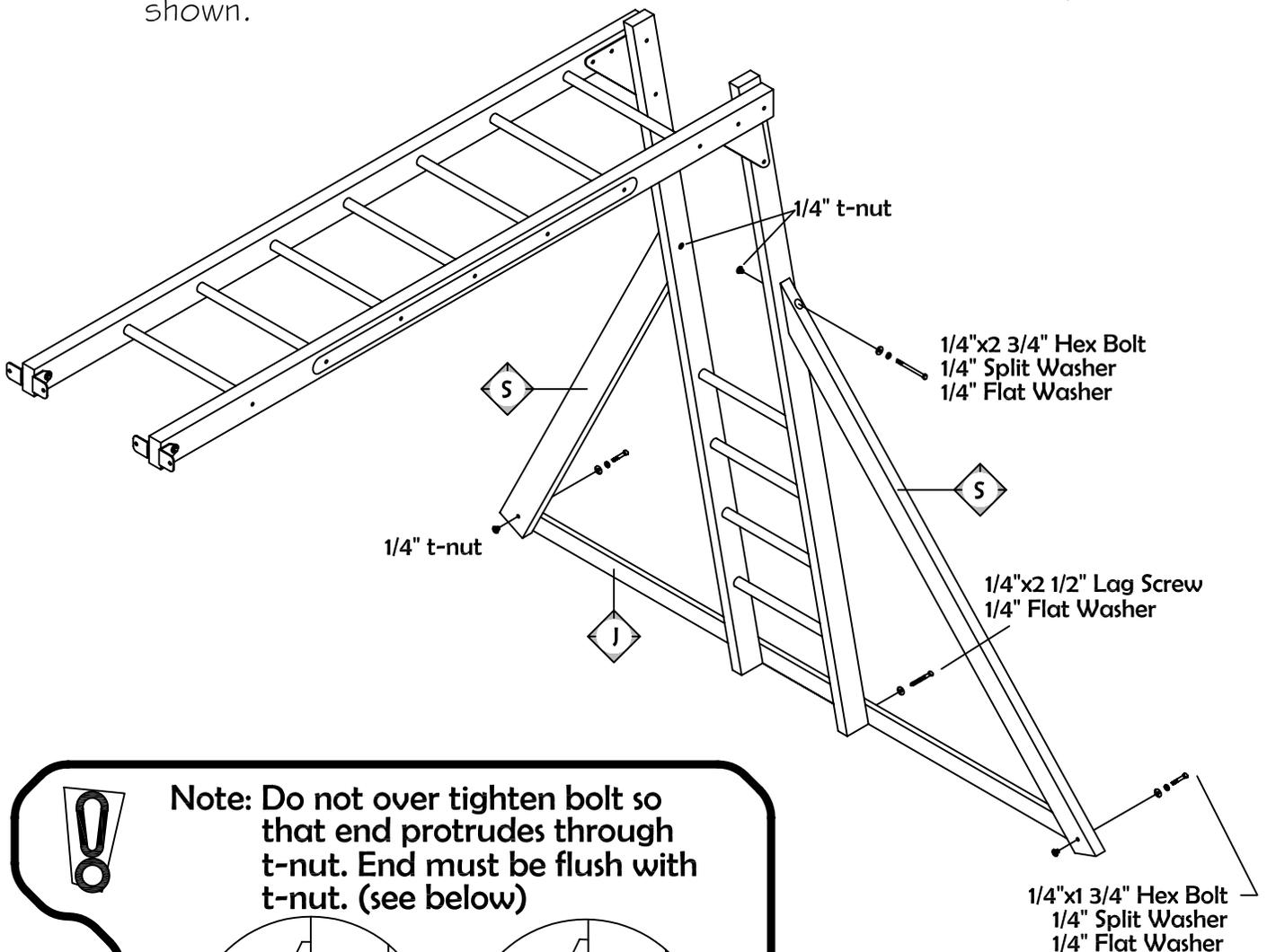
MONKEY BAR ASSEMBLY

Step 1: Gather Monkey Bar Assembly, (2) Monkey Bar Angle Brace 'S' & (1) Monkey Bar Ground Beam 'J'.

Step 2: Attach Angle Braces 'S' to Ground Beam 'J' with 1/4"x1 3/4" Hex Bolts and 1/4" t-nuts as shown.

Step 3: Attach Angle Braces 'S' to End Ladder with 1/4"x2 3/4" Hex Bolts as shown. (see fig 12 for important note)

Step 4: Attach Ground Beam 'J' to End Ladder with 1/4"x2 1/2" Lag Screws as shown.



Note: Do not over tighten bolt so that end protrudes through t-nut. End must be flush with t-nut. (see below)

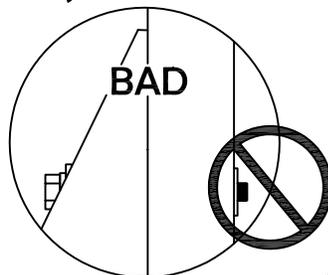
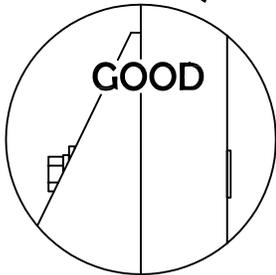


FIG. 12

HARDWARE NEEDED FOR PHASE 15:
(2) 1/4"x2 1/2" Lag Screw
(4) 1/4" T-nuts
(4) 1/4" Split Washers
(2) 1/4"x1 3/4" Hex Bolts
(2) 1/4"x2 3/4" Hex Bolts
(6) 1/4" Flat Washers

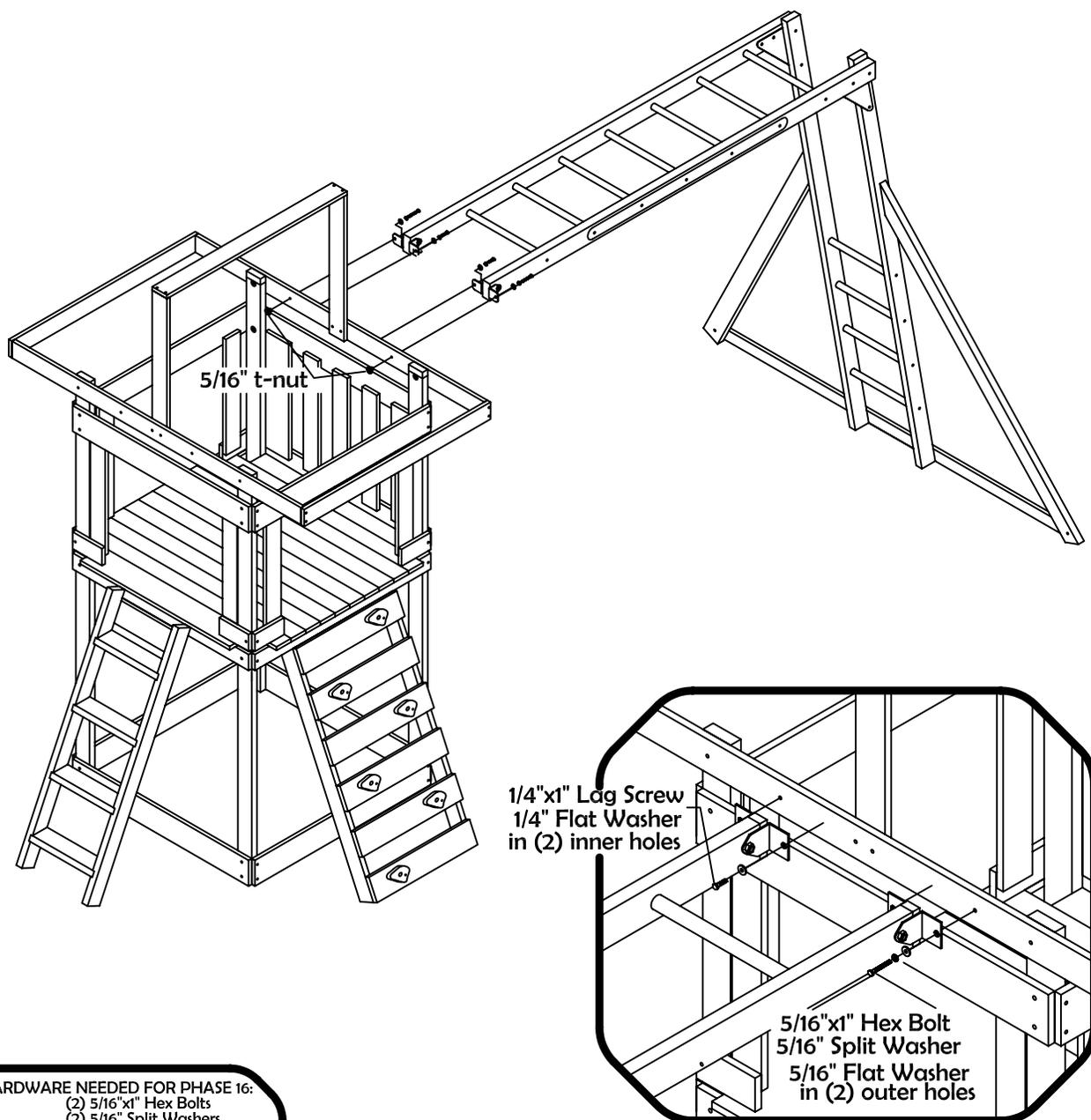
PHASE 16

MONKEY BAR ATTACHMENT

NOTE: A HELPER IS REQUIRED W/ ASSEMBLY.

Step 1: Gather Monkey Bar Assembly.

Step 2: Attach monkey bar to unit by placing 5/16"x 1" Hex bolts through the outside L-brackets and through the hole on the cross brace and by placing a 1/4"x1" Lag Screw through the inside L-brackets and into the cross brace. (see fig 13 for better view of attachment from backside)



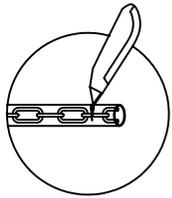
HARDWARE NEEDED FOR PHASE 16:

- (2) 5/16"x1" Hex Bolts
- (2) 5/16" Split Washers
- (2) 5/16" Flat Washers
- (2) 1/4"x1" Lag Screws
- (2) 1/4" Flat Washers
- (2) 5/16" T-nuts

FIG. 13

PHASE 17

SWING ASSEMBLY & ATTACHMENT



Trim plastic coating on chain with scissors or knife to reveal last whole link. Remove partial link and discard. Do this on ends of each chain and attach chain to swing hanger (after completing phase 17& 18) where shown on Phase 13.

Step 1: Attach the S-hooks to the swing seats, Slide the bigger end of the S-hook into the hole located on swing seat. Close S-hook with hammer as shown in Fig. 14.

Note: The bigger opening on the S-hook will be the end that will attach to the swing seat.

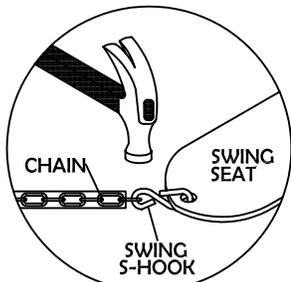


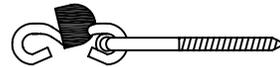
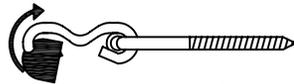
FIG. 14

Step 2: Attach 56" chain to smaller end of S-hook and close with hammer.

Step 3: Attach plastic swing hanger cover to swing hanger as shown below.



3a) Place swing hanger through opening of cover.



3b) Work cover around the curves of the swing hanger

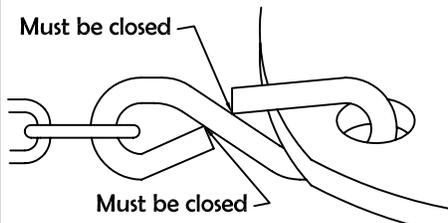


3c) Loop chain over swing hanger, flip cover over and place over opening.

Step 4: Attach opposite end of chain to swing hangers.

Step 5: You will need to adjust the height of the glider with the chain to meet the following minimum ground clearances:
 U.S. - 8" Clearance
 European - 350mm Clearance

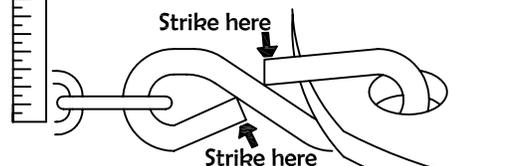
HARDWARE ILLUSTRATION: 'S'-HOOK



Note: For your child's safety, make sure that the hooks are completely closed and that the chains do not pull off the hooks.

FIG. 14

INSTALLATION TIP



When closing S-Hook, strike hook on outermost edge. Its not how hard you strike the hook, but consistent hammering heats the metal and closes the hook.

PHASE 18

GLIDER ASSEMBLY

Step 1: Gather (2) Glider Arms, (1) Glider Seat, (2) Glider Chains & (4) Plastic Glider Arm Caps

Step 2: Feed one chain through each glider arm as shown to allow attachment to swing hanger.

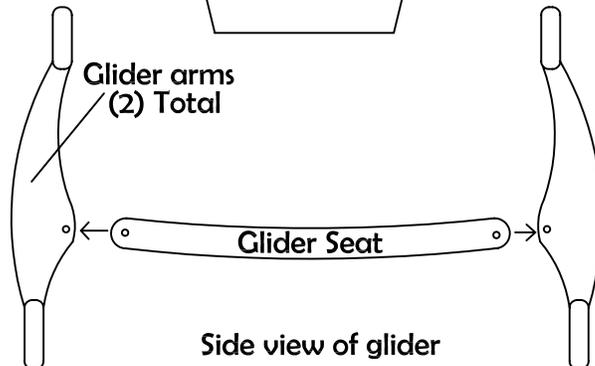
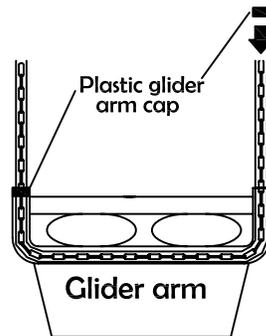
Step 3: Feed chain through cap and push cap so it fits over the opening where the chain goes into the glider arm.

Step 4: Insert glider seat into glider arms & attach w/ (2) 6" hex bolts, (4) 1/4" flat washers & (2) 5/16" lock nuts.

Note: DO NOT tighten so bolt protrudes past lock-nut!

Step 5: After assembly is complete, attach glider to swing hangers located on monkey bar. (see Phase 13 & 17)

Note: You may need to adjust the height of the glider with the chain so that the glider meets the following ground clearances:
U.S. - 8" Clearance
European - 400mm Clearance



HARDWARE NEEDED FOR PHASE 18:

- (2) 5/16"x6" Hex Bolt
- (4) 1/4" Flat Washers
- (2) 5/16" Lock Nuts
- (4) Plastic Glider Arm Caps

PHASE 19

SLIDE ATTACHMENT

Step 1: Center wave slide in opening opposite the rockwall.

Step 2: Drill a 5/16" hole through the indentions on the slide and through the fort floor & cleats.

Step 3: Insert a 1/4" t-nut into each hole on underside of floor and insert 1/4"x1" Machine truss screws through washers and holes and into t-nuts and tighten. (see fig. 15)

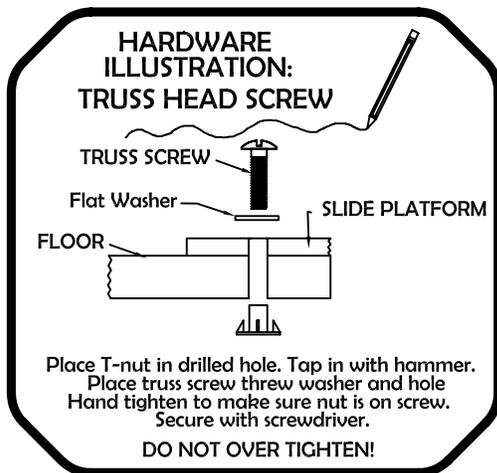
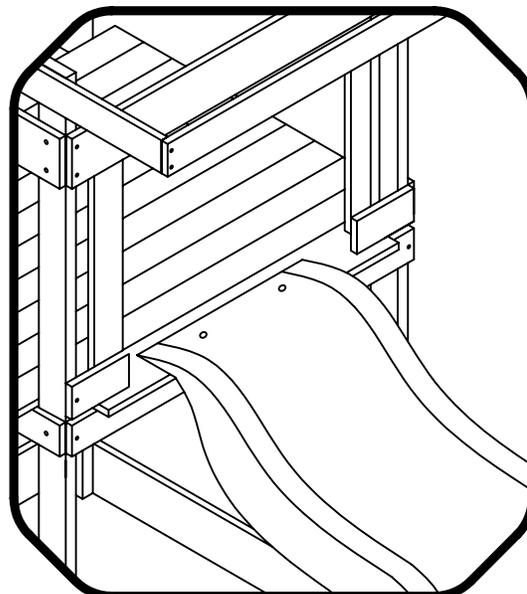


FIG. 15

HARDWARE NEEDED FOR PHASE 19:

- (2) 1/4"x1" Machine Truss Screw
- (2) 1/4" T-nut
- (2) 1/4" Flat Washer



PHASE 20

ANCHORING INSTRUCTIONS

Step 1: Drive Stakes into ground where shown below and attach with 1" tapping screw and flat washer as shown in Fig. 16 & 17. (Stakes will be attached to the Monkey Bar Ground Beam, the fort rails on the fort, the deck ladder rails, and rockwall supports)

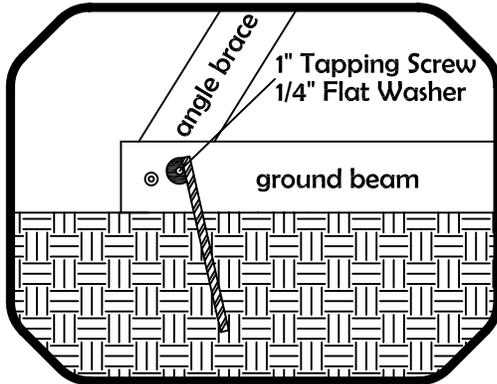


FIG. 16

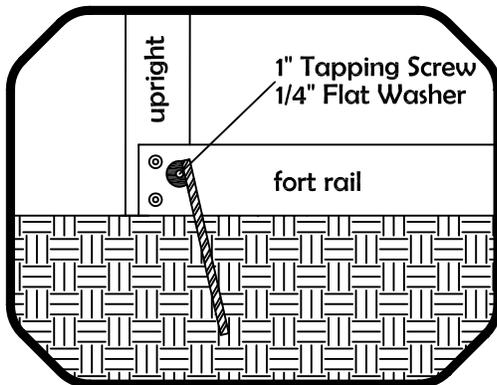
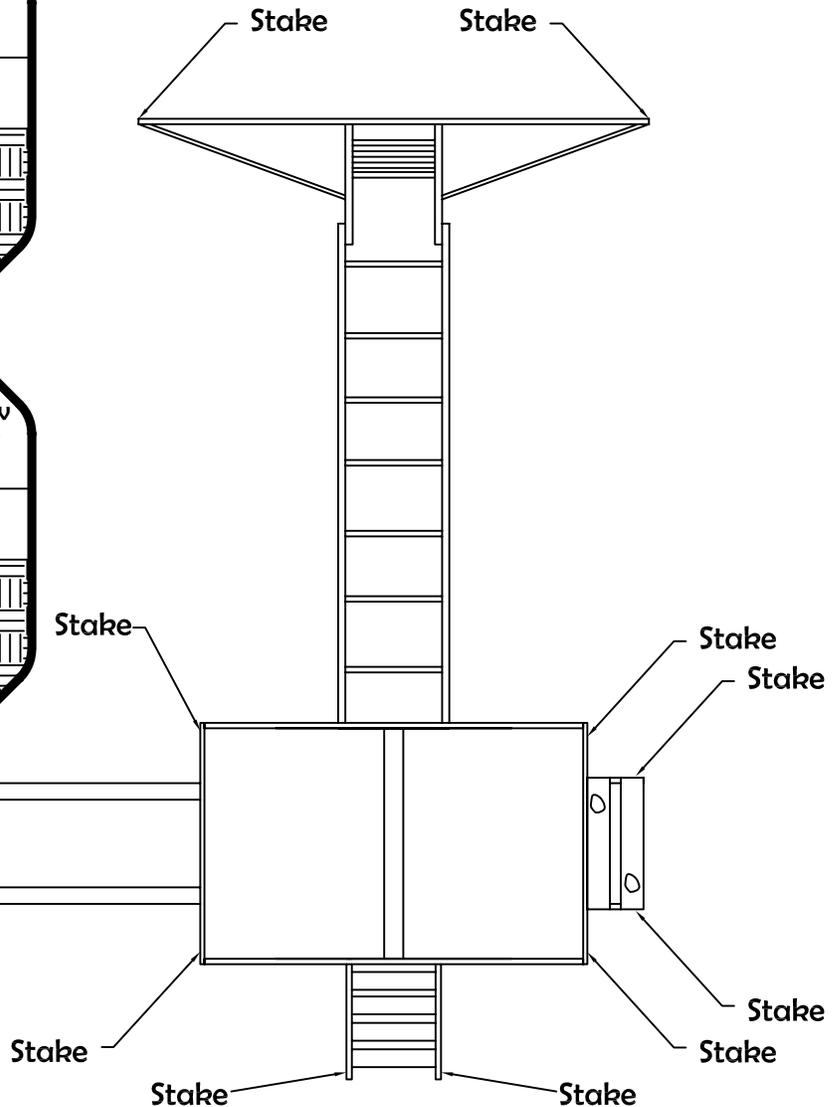


FIG. 17



Note: Failure to use stakes can void warranty & cause injury.

Final Step: Double check and make sure every bolt, screw and nut is tight, every board is secure and enjoy.

HARDWARE NEEDED FOR PHASE 20:
(10) 1" Tapping Screw
(10) 1/4" Flat Washers

Frequently Asked Questions

Q: What size of play area do you recommend around the playset so my child may play safe??

A: We recommend at least a six-foot play perimeter around the playset.

Q: My swing set seems to sway or rock too much. What is wrong?

A: Rocking is caused by uneven ground or obstructions such as rocks, roots, etc. under the ground rails. These obstructions should be removed and the ground underneath leveled to prevent rocking. If the fort itself is moving, it is usually caused because the fort is not staked down. Staking is required and will stop most of the movement.

Q: The end ladder is not straight up and down. What is wrong?

A: Nothing is wrong. The end ladder does not form a 90° angle. It has an angle to it.

Q: The S-hooks for my swings won't close. What is wrong?

A: The S-hook must be on a solid foundation when trying to close. It takes quite a few strokes, but the S-hook will close.

Q: The top ladder does not have holes for the swing hanger lags. Why not?

A: The top ladder is probably installed upside-down.

Q: My wood appears to be cracking. Is that a problem?

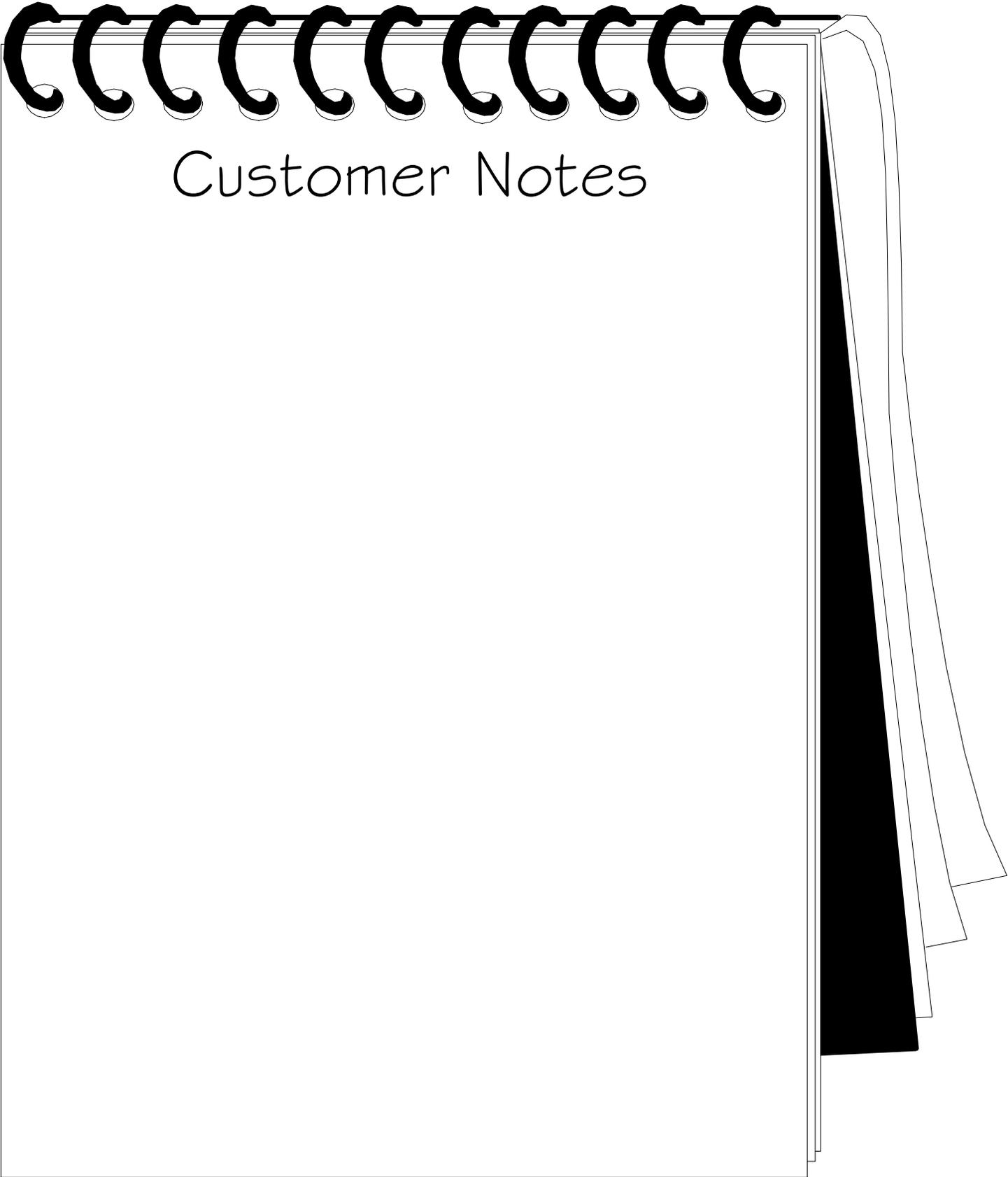
A: No, expansion and contraction of wood due to weather changes will cause slight cracking (technically called checking) and distortion. These are natural characteristics of wood and do not affect the structural integrity of the playset.

Q: My 2x4 boards do not measure 2"x4". Why not?

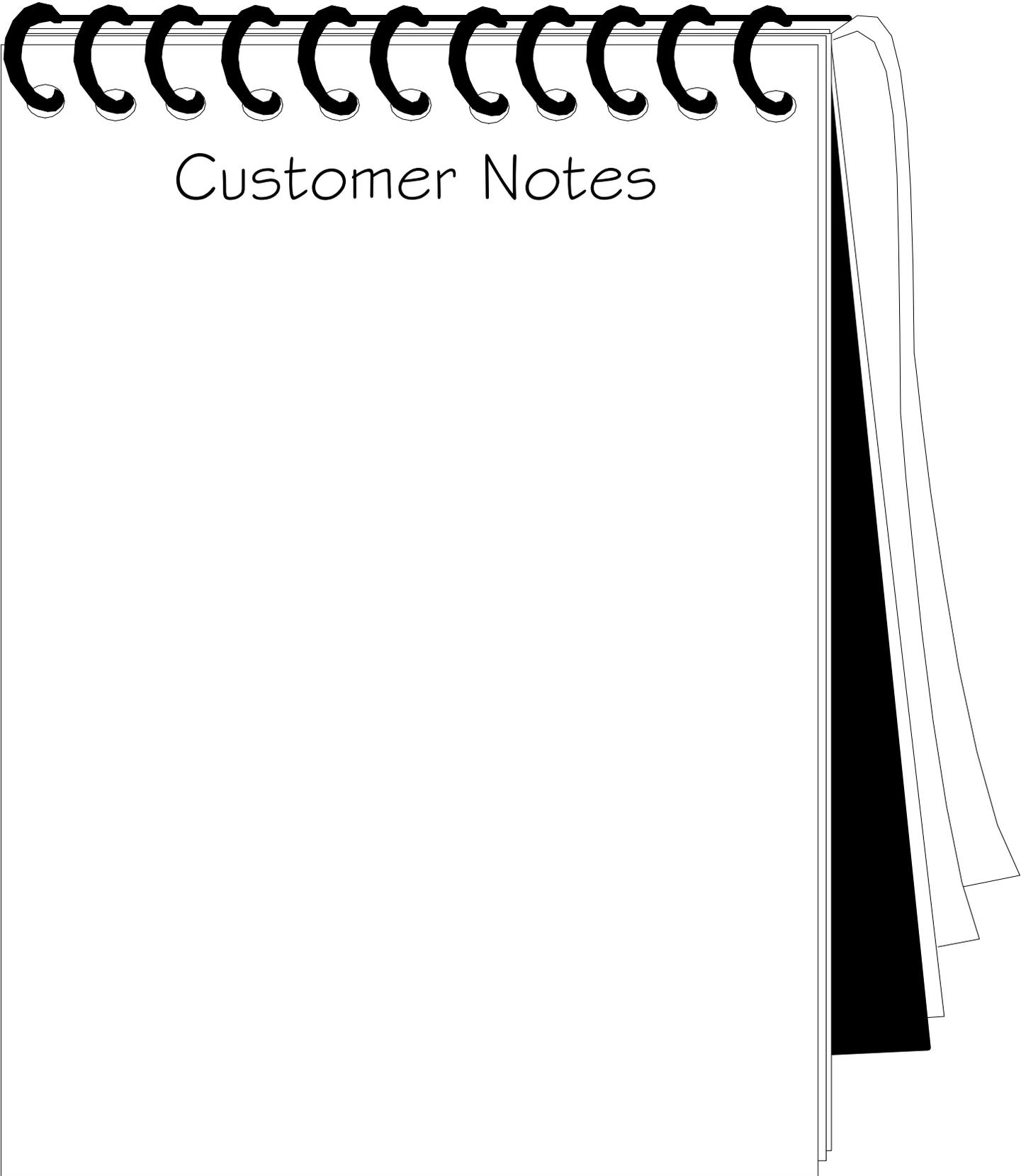
A: It has been common practice in the U.S. to use the rough-cut dimension from a sawmill to describe the width and height of a particular piece of lumber. Many retailers, designers, contractors and manufacturers utilize this description with a common and accepted knowledge that the actual size will vary from this description. Our sets are designed using the actual dimension. This ensures the sets will be assembled properly and be safe for the recommended use.

Q: How often should I re-stain my playset and what should I use?

A: The playset should be checked at least once a year depending on the weather. Lightly sand any rough areas and re-stain the set with a waterborne transparent stain.



Customer Notes



Customer Notes

Limited Warranty

Adventure Playsets Inc. insures to the original owner of our product, that the components of our set are free from defect in materials and will be warranted for one year from the date of purchase. In addition, all wooden components will be warranted against rot or insect damage for 12 Years to the original owner. All non-wood components will carry a one-year warranty only.

All defective parts that are discovered and reported in the first thirty days after purchase will be replaced at no charge to the registered customer. After thirty days of purchase shipping and handling charges for replacement warranty parts will be passed on to the consumer.

All returned goods will be accessed by our customer service department. We will not accept any goods without an authorization code. Our customer service department will give out all codes. Failure to supply authorization code with shipment will void all said warranty. Our customer service department can be reached at 1-800-856-4445.

This Limited Warranty does not cover the following:

- ❑ The cost of labor required to re-install or disassemble the defective component.
- ❑ The cost of air freight
- ❑ The cost of freight after the initial 30 days from purchase.
- ❑ Cosmetic defects that do not affect the structural integrity of the play center.
- ❑ Any abnormal conditions such as vandalism, improper installation, misuse or abuse, or improper maintenance.
- ❑ Damage done by nature such as wind, lightning, severe weather, etc...
- ❑ Natural defects of wood such as warping checking or any other physical properties of wood that do not present a hazard.

Adventure Playsets products have been carefully designed to insure your child's safety. Any modifications to your playsystem could result in serious injury as well as void all warranties.

Our playsets are designed for Residential use only, for children between the ages of 3 and 10, for a single-family dwelling. Commercial use such as nurseries, parks or schools, voids all warranties and liabilities.

Warranty claim procedure

If you are confident that your playsystem has been installed and maintained properly, and you have a warranty claim, proceed with the following steps:

1. We will need copy of your proof of purchase (Vendor sales receipt only.)
2. We require a brief written description of the warranty issue.
3. Photos of warranted parts and of the entire play system.

If **any** of the above steps are not completed, there may be delays in the completion of your claim, or possibly warranty cancellation.

Mail information to:

Adventure Playsets
14201 I-27
Amarillo, Texas
79119

or email at

custservice@adventureplaysets.com

Our customer service department will review the claim and make contact with the customer by mail or by phone. The customer will only pay for shipping and handling to and from factory if warranty is approved.

1-800-856-4445

Service department hours Monday thru Friday 9am to 5pm

Saturday 9am to 2pm

Central standard time

Customer Registration Card

Name: _____

Address: _____

City: _____ State: _____ Zip: _____

Home Phone _____

Date of Purchase _____

Vendor Name _____

City: _____ State: _____ Zip: _____

Unit Model: I-APOIG - The Durango

Please check the boxes below:

How old are you?

18-30

31-43

44-56

Older than 56

How would you rate the quality of our product?

Above Average

Average

Fair

Poor

How would you rate the ease of assembly of our product?

Above Average

Average

Fair

Poor

How would you rate our instructions?

Above Average

Average

Fair

Poor

Would you recommend our product to friends & family?

Yes

No

How old are your children?

3-4

5-6

7-8

9-10

Where did you hear about us?

Friend

Store Display

Advertisement

Internet

Comments: _____

Customer Registration Card

**Do not forget to send in your registration card to the factory.
This card will validate your time of purchase for warranty items.**

Fold here

**Place
stamp
here**

**Adventure Playsets
14201 I-27
Amarillo Texas, 79119**